

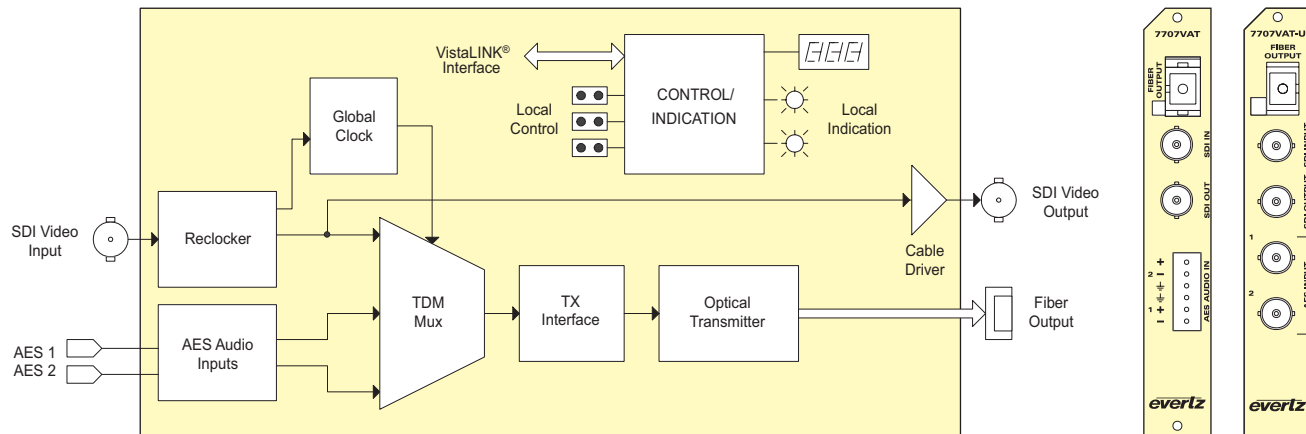
7707VAT, 7707VAT-U

SDI with 2 Balanced or Unbalanced AES Audio Fiber Transmitter



►Features & Benefits

- SDI video and 2 AES audio fiber optic transmitter
- Supports 270Mb/s on 525 or 625 line 4:2:2 component SDI and SDTi (SMPTE 305M) video signals
- Supports 32kHz, 44.1kHz, 48kHz AES audio inputs
- Dolby-E® compatible
- AES audio inputs can be synchronous or asynchronous to each other and/or to input video
- Reclocked SDI output for additional signal distribution or monitoring
- Signal transport over fiber uninterrupted by loss of SDI or AES audio input feeds
- Low audio to video latency over transport interface
- Local display of input SDI signal strength, video format, and EDH errors
- Comprehensive signal and card status monitoring via four digit card edge display or remotely through SNMP and VistaLINK®
- Occupies one card slot and can be housed in either a 1RU frame which will hold up to 3 modules, a 3RU frame which will hold up to 15 modules, 350FR portable frame that holds up to 7 modules or a standalone frame which will hold 1 module
- VistaLINK® capability is available when modules are used with the 3RU 7800FR or 350FR frame and a 7700FC VistaLINK® Frame Controller module in slot 1 of the frame
- Automatic coaxial input equalization up to 300m at 270Mb/s (Belden 1694A)
- Fully hot-swappable from front of frame with no fiber disconnect/reconnect required
- Optical output wavelengths of 1310nm, 1550nm, and up to sixteen CWDM wavelengths (ITU-T G.694.2 compliant)
- DWDM wavelengths (ITU-T G.694.1 compliant) also available
- Supports single-mode and multi-mode fiber optic cable (contact factory for multi-mode applications)



►Specifications

Serial Video Input: Standard: SMPTE 259M-C, 525 or 625 line component, SMPTE 305M, (SDTi) Connector: 1 BNC per IEC 61169-8 Annex A Equalization: Automatic to 300m @ 270Mb/s with Belden 1694A or equivalent cable Return Loss: > 15dB up to 270Mb/s	7707VAT-U: Signal Level: Balanced: 2 to 7V p-p with level jumper set to HI, 1 to 2V p-p set to LO Unbalanced: 1V p-p ±0.1V Equalization: Balanced: 500m @ 48kHz with Belden 1800B or equivalent cable Unbalanced: 2200m @ 48kHz with Belden 8281 or equivalent cable Resolution: Up to 24 bits Sampling Rate: 32kHz, 44.1kHz, 48kHz Impedance: Unbalanced: 75Ω Balanced: 110Ω	1 BNC per IEC 61169-8 Annex A 1550nm & CWDM DFB: 0dBm ±1dBm DWDM DFB: 7dBm ±1dBm Fiber Size: 9µm core/125µm overall
Serial Video Output: Number of Outputs: 1 Per Card reclocked Connector: 1 BNC per IEC 61169-8 Annex A Signal Level: 800mV nominal DC Offset: 0V ±0.5V Rise and Fall Time: 900ps nominal Overshoot: < 10% of amplitude Return Loss: > 15dB at 270Mb/s Wide Band Jitter: < 0.2 UI	Optical Output: Number: 1 Connector: Female SC/PC, ST/PC or FC/PC Return Loss: > 14dB Rise and Fall Time: 200ps nominal Wavelengths: See Ordering Information Output Power: 1310nm FP (Standard): -7dBm ±1dBm	System Performance (7707VAT + 7707VAR): Video Input To Output Delay: < 1.5µs Audio to Video delay: < 1µs with SoftSwitch™ disabled on 7707VAR < 2ms with SoftSwitch™ enabled on 7707VAR
AES Audio Inputs (7707VAT & 7707VAT-U): Number of Inputs: 2 (Jumper selectable for balanced or unbalanced input) Standard: Unbalanced AES: SMPTE 276M Balanced AES: AES3-1992 Other: Dolby-E® compatible Connector: 7707VAT: 6-pin terminal strip	Electrical: Voltage: +12V DC Power: 10W (Non-DWDM) 13W (DWDM)	Compliance: Laser Safety: Class 1 laser product Complies with 24 CFR 1040.10 and 1040.11 IEC 60825-1 Complies with FCC Part 15, Class A EU EMC directive
EMI/RFI: Complies with FCC Part 15, Class A EU EMC directive		

►Ordering Information

7707VAT13	SDI with 2 Balanced AES Audio Fiber Transmitter, 1310nm, FP Laser, VistaLINK® Monitoring
7707VAT15	SDI with 2 Balanced AES Audio Fiber Transmitter, 1550nm, DFB Laser (0dBm), VistaLINK® Monitoring
7707VAT13-U	SDI with 2 Unbalanced AES Audio Fiber Transmitter, 1310nm, FP Laser, VistaLINK® Monitoring
7707VAT15-U	SDI with 2 Unbalanced AES Audio Fiber Transmitter, 1550nm, DFB Laser, (0dBm), VistaLINK® Monitoring
<i>For CWDM, please refer to the end of the fiber section for ordering information</i>	
7707VATxx	SDI with 2 Balanced AES Audio Fiber Transmitter, CWDM DFB Laser, VistaLINK® Monitoring
7707VATxx-U	SDI with 2 AES Unbalanced Audio Fiber Transmitter, CWDM DFB Laser, VistaLINK® Monitoring
<i>For DWDM, please refer to the end of the fiber section for ordering information</i>	
7707VATDxxx	SDI with 2 Balanced AES Audio Fiber Transmitter, DWDM wavelength, VistaLINK® Monitoring
7707VATDxxx-U	SDI with 2 AES Unbalanced Audio Fiber Transmitter, DWDM wavelength, VistaLINK® Monitoring

Ordering Options	Rear Plate and Fiber Connector must be specified at time of order Eg: Model +SC +3RU
Rear Plate Suffix	+3RU 3RU Rear Plate for use with 350FR, 7700FR-C or 7800FR Multiframe +1RU 1RU Rear Plate for use with 7701FR Multiframe +SA Standalone Enclosure Rear Plate
Connector Suffix	+SC SC/PC +ST ST/PC +FC FC/PC
Enclosures	350FR 3RU Portable Multiframe which holds up to 7 single slot modules 7700FR-C 3RU Multiframe which holds up to 15 single slot modules 7800FR 3RU Multiframe which holds up to 15 single slot modules 7801FR 1RU Multiframe which holds up to 4 single or 2 dual slot modules 7701FR 1RU Multiframe which holds up to 3 single or dual slot modules S7701FR Standalone Enclosure