

# 7707VAT-A4

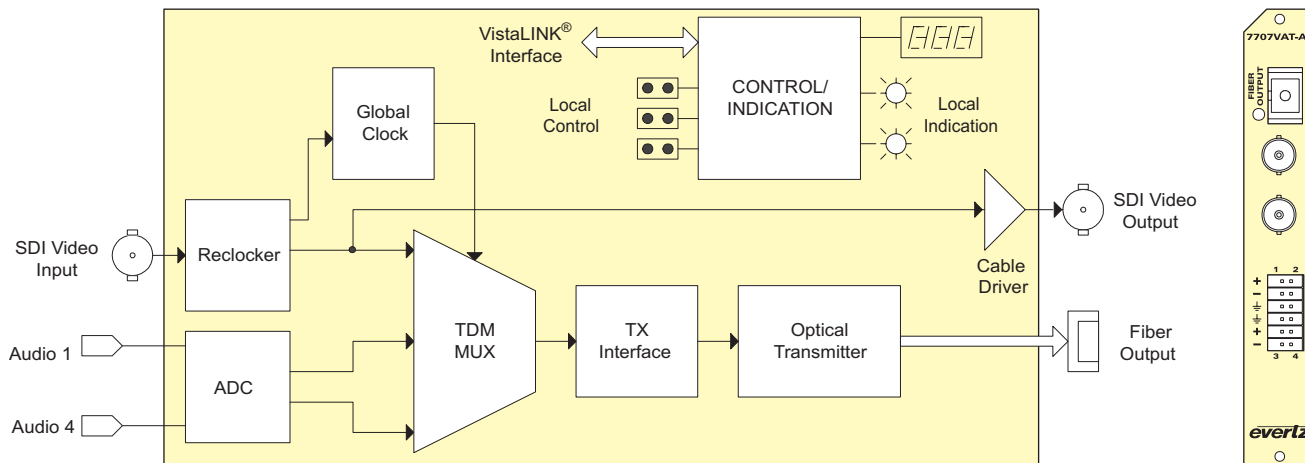
## SDI with 4 Analog Audio Fiber Transmitter



### ►Features & Benefits

- SDI Video and 4 broadcast quality analog audio fiber optic transmitter
- Supports 525 or 625 line 4:2:2 component SDI signals
- Analog audio inputs can be synchronous or asynchronous to each other and/or to input video
- Reclocked SDI output for additional signal distribution or monitoring
- Signal transport over fiber uninterrupted by loss of SDI or Analog audio input feeds
- Low Audio to Video latency over transport interface
- Local display of input SDI signal strength, video format, and EDH errors
- Automatic coaxial input equalization to 300m at 270Mb/s (Belden 8281)
- Comprehensive signal and card status monitoring via four digit card edge display or remotely through SNMP and VistaLINK®
- Occupies one card slot and can be housed in either a 1RU frame which will hold up to 3 modules, a 3RU frame which will hold up to 15 modules, 3RU

- portable frame that holds up to 7 modules or a standalone frame which will hold 1 module
- VistaLINK® capability is available when modules are used with the 7800FR or 350FR 3RU frame and a 7700FC VistaLINK® Frame Controller module in slot 1 of the frame
- Fully hot-swappable from front of frame with no fiber disconnect/reconnect required
- Supports single-mode and multi-mode fiber optic cable (contact factory for multi-mode applications)
- Optical output wavelengths of 1310nm, 1550nm, and up to sixteen CWDM wavelengths (ITU-T G.694.2 compliant)
- DWDM wavelengths (ITU-T G.694.1 compliant) also available



### ►Specifications

#### Serial Video Input:

Standard: SMPTE 259M-C  
 Connector: 1 BNC per IEC 61169-8 Annex A  
 Equalization: Automatic to 300m @ 270Mb/s with Belden 8281 or equivalent cable  
 Return Loss: > 15dB up to 270Mb/s

#### Serial Video Output:

Number of Outputs: 1 Per Card reclocked  
 Standard: SMPTE 259M-C  
 Connector: 1 BNC per IEC 61169-8 Annex A  
 Signal Level: 800mV nominal  
 DC Offset: 0V ±0.5V  
 Rise and Fall Time: 900ps nominal  
 Overshoot: < 10% of amplitude  
 Return Loss: > 15dB at 270Mb/s  
 Wide Band Jitter: < 0.2 UI

#### Analog Audio Inputs:

Number of Inputs: 4  
 Type: Balanced analog audio  
 Connector: 12-pin removable terminal block  
 Input impedance: High Impedance (> 20kΩ)  
 Freq. Response: ±0.1dB, 20Hz to 20kHz  
 THD 20Hz-20kHz: < 0.005%  
 Channel Phase Diff.: ±1°  
 SNR (weighted): > 85dB  
 Max. Audio Input Level: +24dBu  
 Signal Quantization: 24 Bits

#### Optical Output:

Number: 1  
 Connector: Female SC/PC, ST/PC or FC/PC  
 Return Loss: > 14dB  
 Rise and Fall Time: 200ps nominal  
 Wavelengths: See Ordering Information  
 Output Power:  
 1310nm FP(Standard): -7dBm ±1dBm  
 1550nm and CWDM DFB: 0dBm ±1dBm  
 DWDM DFB: 7dBm ±1dBm

#### System Performance (7707VAT-A4 + 7707VAR-A4):

Video Input To Output Delay: < 2μs  
 Audio Input to Output delay: < 1.9ms

#### Electrical:

Voltage: +12V DC  
 Power: 11W (Non-DWDM)  
 13W (DWDM)

#### Physical (number of slots):

350FR: 1  
 7700FR-C: 1  
 7800FR: 1

#### Compliance:

Laser Safety: Complies with 24 CFR 1040.10 and 1040.11  
 EMI/RFI: Complies with FCC regulations for Class A devices  
 Complies with EU EMC directive

### ►Ordering Information

**7707VAT13-A4** SDI with 4 Analog Audio Fiber Transmitter, 1310nm, FP Laser, VistaLINK® Monitoring

**7707VAT15-A4** SDI with 4 Analog Audio Fiber Transmitter, 1550nm, DFB Laser(0dBm), VistaLINK® Monitoring

*For CWDM, please refer to the end of the fiber section for ordering information*

**7707VATxx-A4** SDI with 4 Analog Audio Fiber Transmitter, CWDM DFB Laser, VistaLINK® Monitoring

*For DWDM, please refer to the end of the fiber section for ordering information*

**7707VATDxxx-A4** SDI with 4 Analog Audio Fiber Transmitter, DWDM DFB Laser, VistaLINK® Monitoring

**Ordering Options** Rear Plate and Fiber Connector must be specified at time of order  
 Eg: Model +SC +3RU

#### Rear Plate Suffix

**+3RU** 3RU Rear Plate for use with 350FR, 7700FR-C or 7800FR Multiframe  
**+1RU** 1RU Rear Plate for use with 7701FR Multiframe  
**+SA** Standalone Enclosure Rear Plate

#### Connector Suffix

**+SC** SC/PC  
**+ST** ST/PC  
**+FC** FC/PC

#### Enclosures

**350FR** 3RU Portable Multiframe which holds up to 7 single slot modules  
**7700FR-C** 3RU Multiframe which holds up to 15 single slot modules  
**7800FR** 3RU Multiframe which holds up to 15 single slot modules  
**7801FR** 1RU Multiframe which holds up to 4 single or 2 dual slot modules  
**7701FR** 1RU Multiframe which holds up to 3 single or dual slot modules  
**S7701FR** Standalone Enclosure