

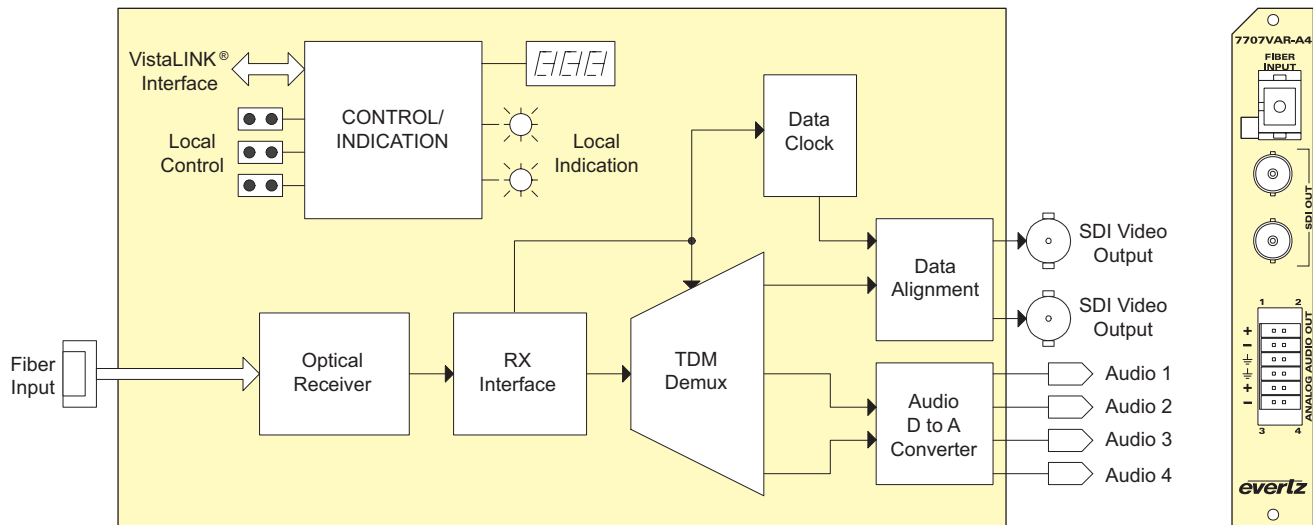


► Features & Benefits

- SDI video and four broadcast quality analog audio fiber optic receiver
- Supports 525 or 625 line 4:2:2 component SDI signals
- Low Audio to Video latency
- Output Video "Black" or "Blue" (selectable) on loss of video or fiber optic input signals
- Built-in jitter attenuation
- Local display of optical signal strength, video and audio presence, video format and EDH errors
- Fully hot-swappable from front of frame with no fiber disconnect/reconnect required
- Comprehensive signal and card status monitoring via four digit card edge

display or remotely through SNMP and VistaLINK®

- Occupies one card slot and can be housed in either a 1RU frame which will hold up to 3 modules, a 3RU frame which will hold up to 15 modules, 3RU portable frame that holds up to 7 modules or a standalone frame which will hold 1 module
- VistaLINK® capability is available when modules are used with the 3RU 7800FR or 350FR portable frame and a 7700FC VistaLINK® Frame Controller module in slot 1 of the frame
- Supports single mode and multi mode fiber optic cable (contact factory for multi-mode applications)
- Accepts any wavelength in the 1270nm to 1610nm range



► Specifications

Optical Input:

Number of Inputs: 1
 Connector: Female SC/PC, ST/PC, FC/PC
 Operating Wavelength: 1270nm to 1610nm
 Maximum Input Power: 0dBm
 Optical Sensitivity: -28dBm

Serial Video Outputs:

Number of Outputs: 2 regenerated
 Standard: SMPTE 259M-C
 Connector: 1 BNC per IEC 61169-8 Annex A
 Signal Level: 800mV nominal
 DC Offset: 0V ±0.5V
 Rise and Fall Time: 900ps nominal
 Overshoot: < 10% of amplitude
 Return Loss: > 15dB at 270Mb/s
 Wide Band Jitter: < 0.2 UI

Analog Audio Outputs:

Number of Outputs: 4
 Type: Balanced analog audio
 Connector: 12-pin removable terminal block
 Output impedance: < 100Ω
 Freq. Response: ±0.1dB, 20Hz to 20 kHz
 THD 20Hz-20kHz: < 0.005%
 Channel Phase Diff.: ±1°
 SNR (weighted): > 85dB
 Output Level: Adjustable to +24dBu
 Audio Headroom: +24dBu

System Performance (7707VAT-A4 + 7707VAR-A4):

Video Input To Output Delay: < 2μs
 Audio Input to Output delay: < 1.9ms

Electrical:

Voltage: +12V DC
 Power: 11W
 EMI/RFI: Complies with FCC Part 15, Class A
 EU EMC directive

Physical (number of slots):

350FR: 1
 7700FR-C: 1
 7800FR: 1

► Ordering Information

7707VAR -A4 SDI with 4 Analog Audio Fiber Receiver

Ordering Options Rear Plate and Fiber Connector must be specified at time of order
 Eg: Model +SC +3RU

Rear Plate Suffix

+3RU 3RU Rear Plate for use with 350FR, 7700FR-C or 7800FR Multiframe
+1RU 1RU Rear Plate for use with 7701FR Multiframe
+SA Standalone Enclosure Rear Plate

Connector Suffix

+SC SC/PC
+ST ST/PC
+FC FC/PC

Fiber Optic Patch Cable

See CWDM & DWDM Ordering Information Page

Enclosures

350FR 3RU Portable Multiframe which holds up to 7 single slot modules
7700FR-C 3RU Multiframe which holds up to 15 single slot modules
7800FR 3RU Multiframe which holds up to 15 single slot modules
7801FR 1RU Multiframe which holds up to 4 single or 2 dual slot modules
7701FR 1RU Multiframe which holds up to 3 single or dual slot modules
S7701FR Standalone Enclosure