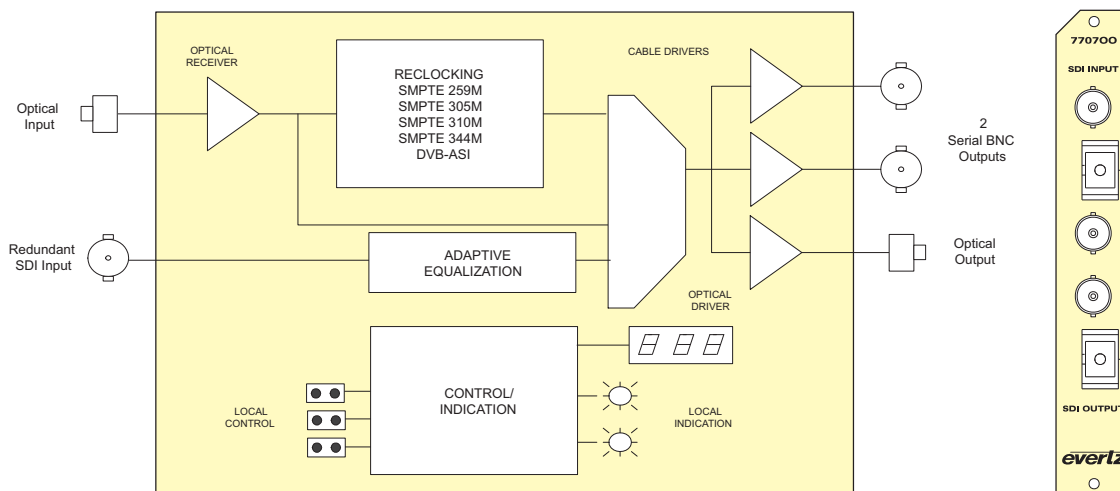




► Features & Benefits

- Can be used as optical regenerator/repeater, E to O converter, O to E converter, O to O wavelength converter
- Auto-rate selection, reclocking and indication for all SMPTE ST 259 standards from 143–540Mb/s
- Supports additional standards of SMPTE 305M (SDTi), SMPTE 310M (19.4Mb/s) and M2S or DVB-ASI (270Mb/s)
- Can also support Datacom/Telecom rates up to 540Mb/s
- Coaxial or optical input (jumper selectable)
- Supports single-mode and multi-mode fiber optic cable (contact factory for multi-mode applications)
- Optical output wavelengths of 1310nm, 1550nm and up to sixteen CWDM wavelengths (ITU-T G.694.2 compliant)
- DWDM wavelengths (ITU-T G.694.1 compliant) also available
- Independent isolated output drivers to ensure no cross channel loading effects and to maintain polarity from input to output for DVB-ASI applications
- Comprehensive signal and card status monitoring via four digit card edge display
- Detection and display of optical input power, video format and EDH errors
- Fully hot-swappable from front of frame
- Two BNC serial digital outputs



► Specifications

Standards:	SMPTE ST 259 A, B, C, D, SMPTE 297M, SMPTE 305M, SMPTE 310M, DVB-ASI, M2S	Jitter:	<0.15 UI (Reclocked) <0.20 UI (Non-reclocked)	Return Loss:	> 15dB up to 540Mb/s
Optical Input:		Nominal Wavelength:	1310nm, 1550nm	Wide Band Jitter:	< 0.15 UI (Reclocked) < 0.20 UI (Non-reclocked)
Connector:	Female SC/PC, ST/PC, FC/PC	CWDM Wavelengths:	See Ordering Information	Electrical:	
Operating Wavelength:	1270nm to 1610nm	DWDM Wavelengths:	See Ordering Information	Voltage:	+12V DC
Max Input Power:	0dBm	Output Power:	1310nm FP: -7dBm ± 1dBm 1550nm DFB: 0dBm ± 1dBm	Power:	Non-DWDM: 6W DWDM: 9W
Optical Sensitivity:	-31dBm	CWDM DFB:	0dBm ± 1dBm	Physical (number of slots):	
Electrical Video Input:		DWDM DFB:	+7dBm ± 1dBm	350FR: 1	
Normal:	SMPTE ST 259 (143 to 540Mb/s) or DVB/ASI	Electrical Video Outputs:		7700FR-C: 1	
Jumper Selectable:	SMPTE 310M (19.4Mb/s)	Number of Outputs:	2 per card — reclocked (both outputs maintain polarity from input to output for DVB-ASI applications)	7800FR: 1	
Connector:	1 BNC per IEC 61169-8 Annex A	Connectors:	1 BNC per IEC 61169-8 Annex A	Compliance:	
Equalization:	Automatic to 275m @ 270Mb/s with Belden 8281 (or equivalent)	Impedance:	75Ω (nominal)	Laser Safety:	Class 1 laser product Complies with 24 CFR 1040.10 and 1040.11
Return Loss:	>15dB to 540Mb/s	Signal Level:	800mV nominal	IEC 60825-1	Complies with FCC Part 15, Class A EU EMC directive
Optical Outputs:		DC Offset:	0V ± 0.5V	EMI/RFI:	
Connector:	SC/PC, ST/PC, FC/PC female housing	Rise and Fall Time:	900ps nominal		
Return Loss:	>14dB	Overshoot:	< 10% of amplitude		

► Ordering Information

77070013	Optical Regenerator / Wavelength Converter for rates to 540Mb/s, 1270nm to 1610nm input, 1310nm FP output
77070015	Optical Regenerator / Wavelength Converter for rates to 540Mb/s, 1270nm to 1610nm input, 1550nm DFB laser output
<i>For CWDM, please refer to the end of the fiber section for ordering information</i>	
770700xx	Optical Regenerator / Wavelength Converter for rates to 540Mb/s, 1270nm to 1610nm input, CWDM output
<i>For DWDM, please refer to the end of the fiber section for ordering information</i>	
770700Dxxx	Optical Regenerator / Wavelength Converter for rates to 540Mb/s, 1270nm to 1610nm input, DWDM output

Rear Plate Suffix	
+3RU	3RU Rear Plate for use with 350FR, 7700FR-C or 7800FR Multiframe
+1RU	1RU Rear Plate for use with 7701FR Multiframe
+SA	Standalone Enclosure Rear Plate
Connector Suffix	
+SC	SC/PC
+ST	ST/PC
Enclosures	
350FR	3RU Portable Multiframe which holds up to 7 single slot modules
7700FR-C	3RU Multiframe which holds up to 15 single slot modules
7800FR	3RU Multiframe which holds up to 15 single slot modules
7801FR	1RU Multiframe which holds up to 4 single or 2 dual slot modules
7701FR	1RU Multiframe which holds up to 3 single or dual slot modules
S7701FR	Standalone Enclosure

Ordering Options Rear Plate and Fiber Connector must be specified at time of order (Eg: Model +SC +3RU)