

770700-2-OC, 770700-2L-OC

Optical to Optical Wavelength Shifter/Regenerator

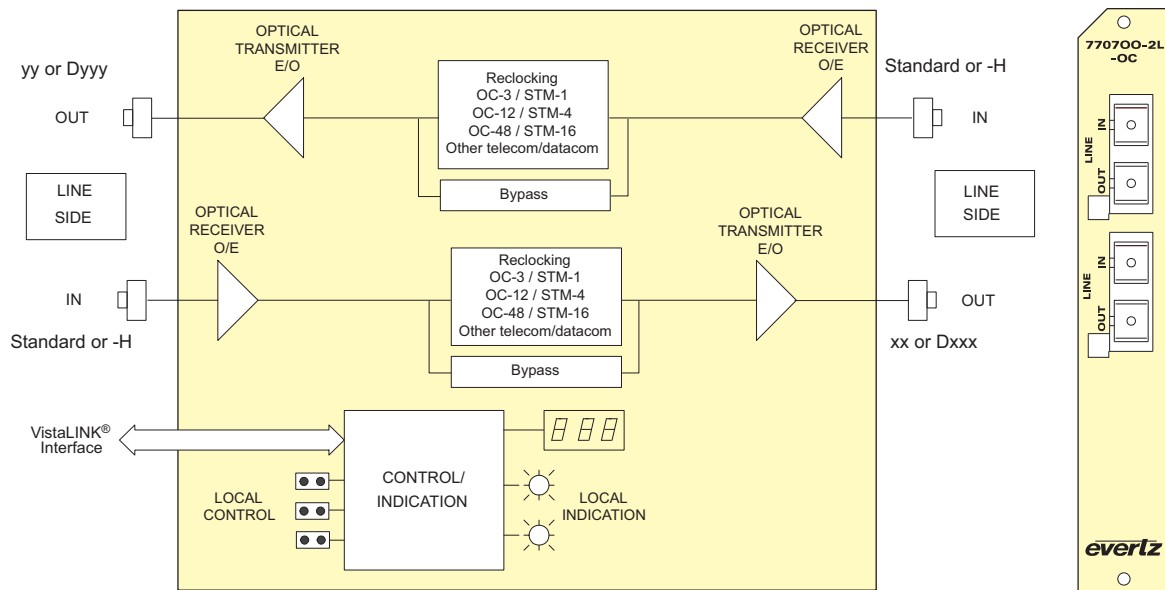
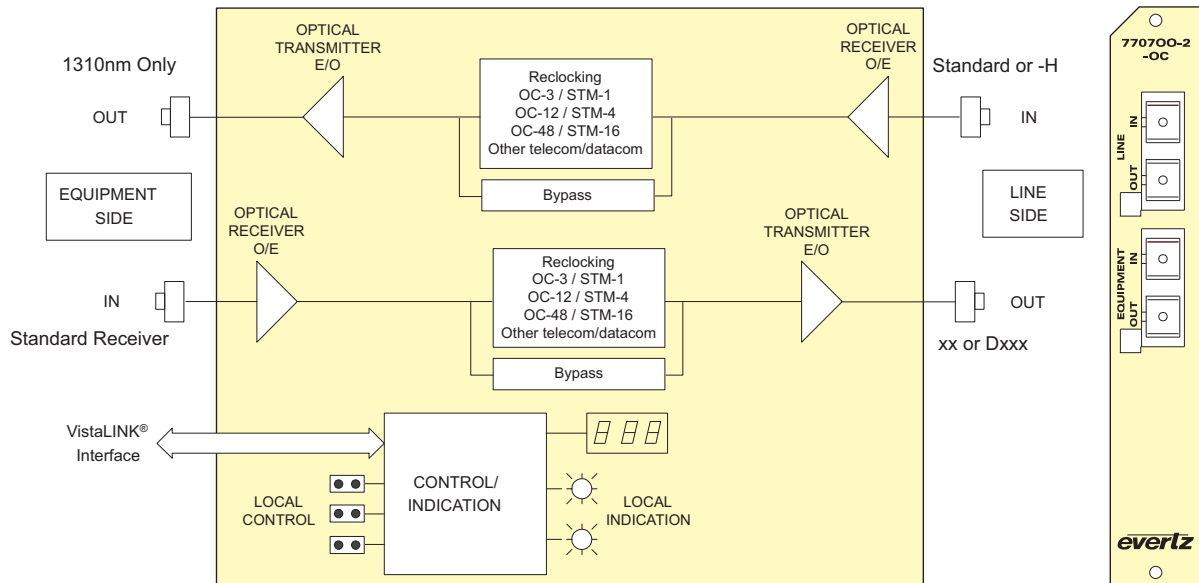


The 770700-2-OC and 770700-2L-OC are VistaLINK®-capable, optical to optical wavelength shifter/regenerator for telecom and datacom signals. Monitoring and control of card status and parameters is provided locally at the card edge and remotely via VistaLINK®.

The 770700-2-OC and 770700-2L-OC accepts two fiber inputs and provides two optical outputs. All versions accept 1270nm to 1610nm optical input signals on multi-mode or single-mode fiber. The 770700-2-OC and 770700-2L-OC are available in 1310nm, CWDM and DWDM configurations.

Features & Benefits

- Reclocking for OC-3/STM-1, OC-12/STM-4 and OC-48/STM-16 and a number of other telecom and datacom rates (see specifications)
- Non-reclocking mode for support of additional signal rates (125Mb/s-3.187Gb/s)
- Full-Duplex
- Wide range optical input (1270nm-1610nm)
- 1310nm, 1550nm and CWDM wavelengths available for optical outputs
- DWDM wavelengths (ITU-T G.694.1 compliant) also available for optical outputs
- Comprehensive signal and card status monitoring via four digit card edge display or remotely through SNMP and VistaLINK®
- Detection and display of optical input power and data rate
- Fully hot-swappable from front of frame
- VistaLINK® capability is available when modules are used with the 3RU 7800FR or a 350FR frame and a 7700FC VistaLINK® Frame Controller module in slot 1 of the frame



The Complete Solution Provider



770700-2-OC, 770700-2L-OC

Optical to Optical Wavelength Shifter/Regenerator



Specifications

Standards (relocked):

Datacom	
Standard	Data Rate
Fiber Channel	2.125Gb/s
Fiber Channel	1.062Gb/s
Fiber Channel	531Mb/s
Fiber Channel	266Mb/s
Fiber Channel	133Mb/s
Fast Ethernet	125Mb/s
XAUI	3.125Gb/s
XAUI	3.187Gb/s
ESCON	200Mb/s

Optical Inputs:

Number of Inputs: 2
 Rates (non-relocked): 125Mb/s-3.187Gb/s
 Connector: Female SC/PC, ST/PC, FC/PC, SC/APC
 Wavelength: 1270nm-1610nm

Optical Sensitivity

Standard & Equipment Side: -27dBm
 High Sensitivity (-H): -29dBm
 Max. Input Power: -1dBm
 Standard & Equipment Side: -1dBm
 High Sensitivity (-H): -7dBm
 Fiber Size: 62µm core/125µm overall

Optical Outputs:

Standards: Same as optical input
 Number of Outputs: 2
 Connector: SC/PC, ST/PC, FC/PC, SC/APC
 Return Loss: < 14dB
 Fiber Size: 9µm core/125µm overall
 Equipment Side:
 Wavelengths Standard: 1310nm
 Output Power 1310nm FP: -7dBm ± 1dBm

Line Side Wavelengths:

Standard: 1310nm, 1550nm (nominal)
 CWDM: 1270nm to 1610nm (See ordering information)
 DWDM: C-Band/L-Band (ITU-T G.694.1 compliant)

Output Power:

1310nm FP: -6dBm ± 1dBm
 CWDM: ±1dBm ± 1dBm
 DWDM: +7dBm ± 1dBm

Electrical:

Voltage: +12V DC
 Power: 6W (Non DWDM)
 9W (DWDM)
 EMI/RFI: Complies with FCC regulations for Class A devices
 Complies with EU EMC directive

Physical (number of slots):

350FR: 1
 7700FR-C: 1
 7800FR: 1

Compliance:

Laser Safety: Class 1 laser product
 Complies with 24 CFR 1040.10 and 1040.11
 IEC 60825-1
 EMI/RFI: Complies with FCC Part 15, Class A
 EU EMC directive

Ordering Information

77070013-2-OC 1310nm FP laser and standard receiver (line side), VistaLINK®
77070015-2-OC 1550nm DFB laser and standard receiver (line side), VistaLINK®
77070015-2L-OC 1550nm FP laser, dual line, VistaLINK®

For CWDM applications please refer to the end of the fiber section for details

770700xx-2-OC CWDM DFB laser and standard receiver (line side), VistaLINK®
770700xx/yy-2L-OC CWDM DFB laser, dual line, standard receiver, VistaLINK®

770700xx-2-OC-H CWDM DFB laser, high sensitivity receiver (line side), VistaLINK®
770700xx/yy-2L-OC-H CWDM DFB laser, high sensitivity receiver, VistaLINK®

For DWDM applications please refer to the end of the fiber section for details

770700Dxxx-2-OC DWDM DFB laser and standard receiver (line side), VistaLINK®
770700Dxxx/Dyyy-2L-OC DWDM laser, dual line, standard receiver, VistaLINK

770700Dxxx-2-OC-H DWDM DFB laser, high sensitivity receiver (line side), VistaLINK®
770700Dxxx/Dyyy-2L-OC-H DWDM laser, high sensitivity receiver, VistaLINK®

*Note: Contact factory for clarification on laser ordering options

Ordering Options Rear Plate and Fiber Connector must be specified at time of order (Eg: Model +SC +3RU)

Connector Suffix

+SC SC/PC
+ST ST/PC

Rear Plate Suffix

+3RU 3RU Rear Plate for use with 350FR, 7700FR-C or 7800FR Multiframe
+1RU 1RU Rear Plate for use with 7701FR Multiframe
+SA Standalone Enclosure Rear Plate

Enclosures

350FR 3RU Portable Multiframe which holds up to 7 single slot modules
7700FR-C 3RU Multiframe which holds up to 15 single slot modules
7800FR 3RU Multiframe which holds up to 15 single slot modules
7801FR 1RU Multiframe which holds up to 4 single or 2 dual slot modules
7701FR 1RU Multiframe which holds up to 3 single or dual slot modules
S7701FR Standalone Enclosure