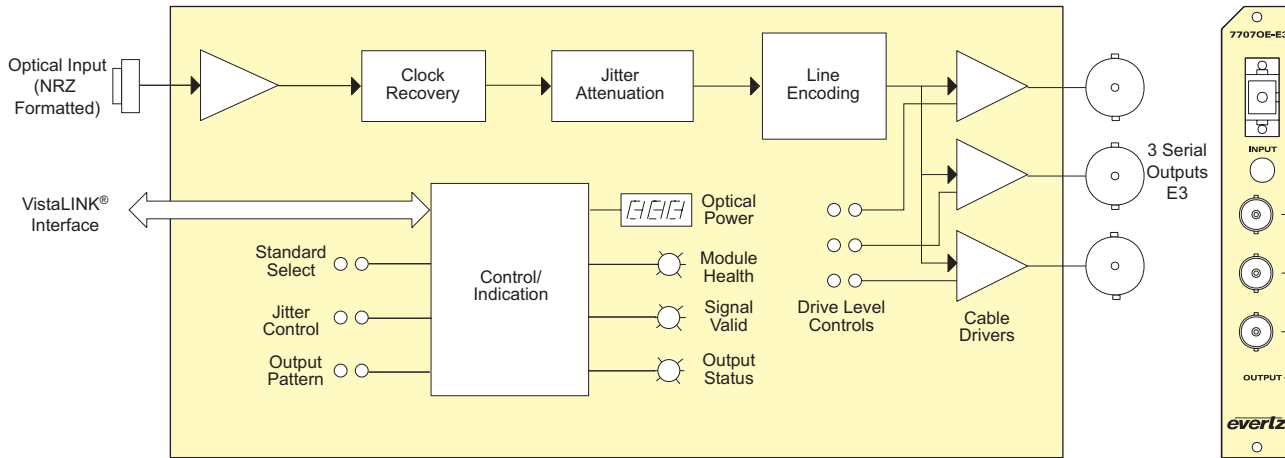




►Features & Benefits

- Optical to electrical converter for E3 (34.368Mb/s)
- Signal reclocking and jitter attenuation
- Output wave shaping for G.703 standards compliance
- Output 1010 pattern generation upon loss of lock to an input signal
- Electrical output drive level control for enhanced distance
- Transformer coupled outputs
- Display of received optical power provides a pre-emptive indication of link integrity
- Wide range optical input (1270nm-1610nm)
- Supports single-mode and multi-mode fiber optic cable (contact factory for multi-mode applications)

- Fully hot-swappable from front of frame
- Occupies one card slot and can be housed in a 1RU frame that will hold up to 3 modules, a 3RU frame that will hold up to 15 modules, a 350FR portable frame that will hold up to 7 modules or a standalone enclosure which holds 1 module
- Comprehensive signal and card status monitoring via four digit card edge display or remotely through SNMP and VistaLINK®
- VistaLINK® capability is available when modules are used with the 3RU 7800FR or 350FR portable frame and a 7700FC VistaLINK® Frame Controller module in slot 1 of the frame



►Specifications

Optical Input:

Number of Inputs: 1 Scrambled E3 @ 34.368Mb/s
 Connector: Female SC/PC, ST/PC or FC/PC
 Wavelength: 1270nm-1610nm
 Optical Sensitivity: -31dBm
 Max. Input Power: 0dBm
 Fiber Size: 62µm core/125µm overall

Outputs:

Number of Outputs: 3 per card-relocked
 Connector: 1 BNC per IEC 61169-8 Annex A
 Waveform: Conforms to G.703 compliant masks
 Return Loss: > 15dB up to 34MHz
 Drive Level:
 High: For driving cable lengths > 70m
 Low: For driving cable lengths < 70m

Electrical:

Voltage: +12V DC
 Power: 6W
 EMI/RFI: Complies with FCC Part 15, Class A
 EU EMC Directive

Physical (number of slots):

350FR: 1
 7700FR-C: 1
 7800FR: 1

►Ordering Information

7707OE-E3 E3 Optical to Electrical Converter, VistaLINK® Monitoring

Ordering Options Rear Plate and Fiber Connector must be specified at time of order
 Eg: Model +SC +3RU

Rear Plate Suffix
+3RU 3RU Rear Plate for use with 350FR, 7700FR-C or 7800FR Multiframe
+1RU 1RU rear plate for use with 7701FR Multiframe
+SA Standalone Enclosure Rear Plate

Connector Suffix
+SC SC/PC
+ST ST/PC
+FC FC/PC

Accessories
Fiber Optic Patch Cable
 See CWDM & DWDM Ordering Information Page

Enclosures
350FR 3RU Portable Multiframe which holds up to 7 single slot modules
7700FR-C 3RU Multiframe which holds up to 15 single slot modules
7800FR 3RU Multiframe which holds up to 15 single slot modules
7801FR 1RU Multiframe which holds up to 4 single or 2 dual slot modules
7701FR 1RU Multiframe which holds up to 3 single or dual slot modules
S7701FR Standalone Enclosure