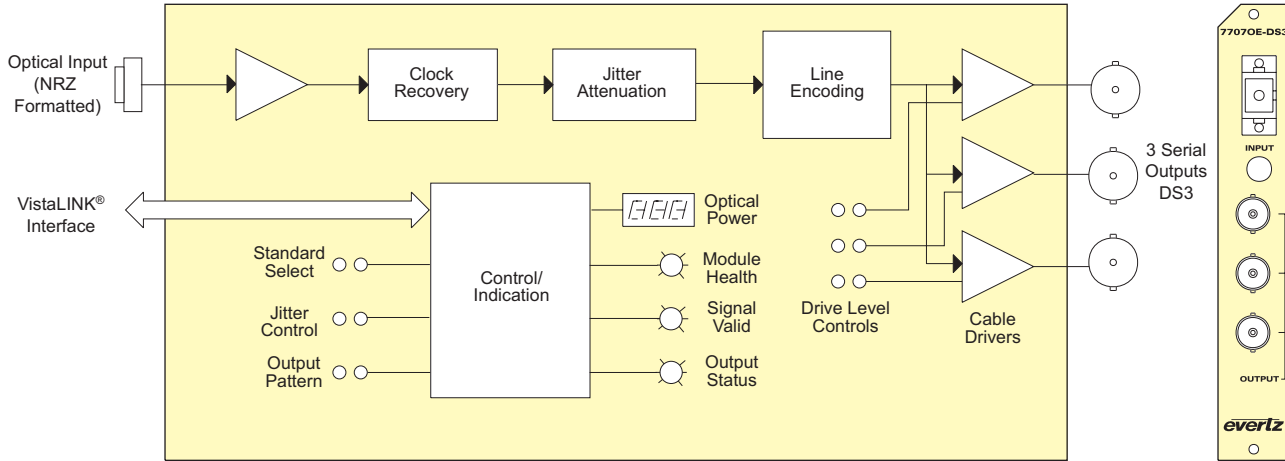




► Features & Benefits

- Optical to electrical converter for DS3 (44.736Mb/s)
- Signal relocking and jitter attenuation
- Output wave shaping for G.703 standards compliance
- Output 1010 pattern generation upon loss of lock to an input signal
- Electrical output drive level control for enhanced distance
- Transformer coupled outputs
- Display of received optical power provides a pre-emptive indication of link integrity
- Wide range optical input (1270nm-1610nm)
- Supports single-mode and multi-mode fiber optic cable (contact factory for multi-mode applications)
- Fully hot-swappable from front of frame
- Occupies one card slot and can be housed in a 1RU frame that will hold up to 3 modules, a 3RU frame that will hold up to 15 modules, a 350FR portable frame that will hold up to 7 modules or a standalone enclosure which holds 1 module
- Comprehensive signal and card status monitoring via four digit card edge display or remotely through SNMP and VistaLINK®
- VistaLINK® capability is available when modules are used with the 3RU 7800FR or 350FR frame and a 7700FC VistaLINK® Frame Controller module in slot 1 of the frame



► Specifications

Optical Input:		Outputs:		Electrical:	
Number of Inputs:	1 Scrambled DS3 @ 44.736Mb/s	Number of Outputs:	3 per card-relocked	Voltage:	+12V DC
Connector:	Female SC/PC, ST/PC or FC/PC	Connector:	1 BNC per IEC 61169-8 Annex A	Power:	6W
Wavelength:	1270nm-1610nm	Waveform:	Conforms to G.703 compliant masks	EMI/RFI:	Complies with FCC Part 15, Class A EU EMC Directive
Optical Sensitivity:	-31dBm	Return Loss:	> 15dB up to 44.736Mb/s	Physical (number of slots):	
Max. Input Power:	0dBm	Drive Level:		350FR:	1
Fiber Size:	62µm core/125µm overall	High:	For driving cable lengths > 70m	7700FR-C:	1
		Low:	For driving cable lengths < 70m	7800FR:	1

► Ordering Information

7707OE-DS3 Optical to Electrical Converter, VistaLINK® Monitoring

Ordering Options Rear Plate and Fiber Connector must be specified at time of order
Eg: Model +SC +3RU

Rear Plate Suffix

+3RU 3RU Rear Plate for use with 350FR, 7700FR-C or 7800FR Multiframe

+1RU 1RU rear plate for use with 7701FR Multiframe

+SA Standalone Enclosure Rear Plate

Connector Suffix

+SC SC/PC

+ST ST/PC

+FC FC/PC

Accessories

Fiber Optic Patch Cable
See CWDM & DWDM Ordering Information Page

Enclosures

350FR 3RU Portable Multiframe which holds up to 7 single slot modules

7700FR-C 3RU Multiframe which holds up to 15 single slot modules

7800FR 3RU Multiframe which holds up to 15 single slot modules

7801FR 1RU Multiframe which holds up to 4 single or 2 dual slot modules

7701FR 1RU Multiframe which holds up to 3 single or dual slot modules

S7701FR Standalone Enclosure