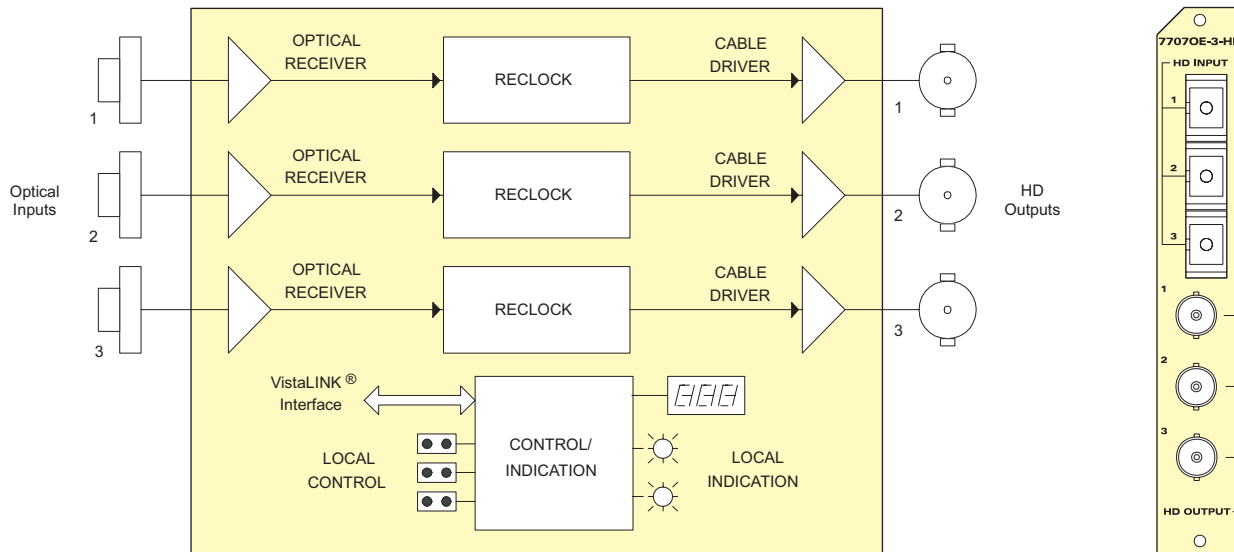




►Features & Benefits

- Three independent channels of optical to electrical conversion that support all SMPTE 292M standards at 1.485Gb/s
- Supports relocking of all SMPTE 259M standards with operation from 143Mb/s-360Mb/s
- Supports relocking of additional standards of SMPTE 305M (SDTi), SMPTE 344M (540Mb/s), M2S and DVB-ASI (270Mb/s)
- Automatically operates in non-relocking mode in the presence of rates not supported by relocking
- Fully hot-swappable from front of frame, with no fiber or BNC disconnect/reconnect required
- High density -accommodates up to 45 independent channels of optical conversion in a single 3RU frame
- Can be housed in either a 1RU frame which will hold up to 3 modules, a 3RU frame which will hold up to 15 modules, 3RU portable frame that holds

- up to 7 modules or a standalone frame which will hold 1 module
- Comprehensive signal and card status monitoring via four digit card edge display or remotely through SNMP and VistaLINK®
- VistaLINK® capability is available when modules are used with the 3RU 7800FR or 350FR portable frame and a 7700FC VistaLINK® Frame Controller module in slot 1 of the frame
- Detection and display of optical input power, and data rate
- Wide range optical input (1270nm-1610nm)
- Supports single-mode and multi-mode fiber optic cable (contact factory for multi-mode applications)
- SC/PC, ST/PC or FC/PC connector options
- Tally output on Frame Status bus upon loss of input signal



►Specifications

Standards: SMPTE 292M, SMPTE 259M-A,B,C,D
SMPTE 305M, SMPTE 310M,
SMPTE 344M, M2S, DVB-ASI

Optical Inputs:
Number of Inputs: 3 (independent channels)
Connector: SC/PC, ST/PC, FC/PC female housing
Operating Wavelength: 1270nm to 1610nm
Max. Input Power: -1dBm
Optical Sensitivity: -23.5dBm

Serial Video Outputs:
Number of Outputs: 3 relocked (independent channels)
Connector: 3 BNC per IEC 61169-8 Annex A
Signal Level: 800mV nominal
DC Offset: 0V ±0.5V
Rise/Fall Time
SD @270Mb/s: 600ps nominal
HD @1.485Gb/s: 150ps nominal
Overshoot: < 10% of amplitude
Return Loss: > 15dB up to 1.5Gb/s
Jitter: < 0.2 UI

Electrical:
Voltage: +12V DC
Power: 6W
EMI/RFI: Complies with FCC Part 15, Class A
EU EMC Directive

Physical (number of slots):
350FR: 1
7700FR-C: 1
7800FR: 1

Transmitter Compatibility Chart:

MODEL #	SD-SDI	HD-SDI
2405/7705/7707EO	x	
2405/7705/7707EO-HD	x	x
7705/7707EO-3	x	
7705/7707EO-3-HD	x	x
7707ADVT	x	
7707ADVT-HD	x	x
7707VAT-HD	x	x

►Ordering Information

7707OE-3-HD Triple HD or SD Optical to Electrical Converter, 19.4Mb/s or 143Mb/s - 1.485Gb/s, VistaLINK®

Ordering Options Rear Plate and Fiber Connector must be specified at time of order
Eg: Model +SC +3RU

Rear Plate Suffix
+3RU 3RU Rear Plate for use with 350FR, 7700FR-C or 7800FR Multiframe
+1RU 1RU Rear Plate for use with 7701FR Multiframe
+SA Standalone Enclosure Rear Plate

Connector Suffix
+SC SC/PC
+ST ST/PC
+FC FC/PC

Accessories:
Fiber Optic Patch Cable
See CWDM & DWDM Ordering Information Page

Enclosures
350FR 3RU Portable Multiframe which holds up to 7 single slot modules
7700FR-C 3RU Multiframe which holds up to 15 single slot modules
7800FR 3RU Multiframe which holds up to 15 single slot modules
7701FR 1RU Multiframe which holds up to 3 single or dual slot modules
7801FR 1RU Multiframe which holds up to 4 single or 2 dual slot modules
S7701FR Standalone Enclosure