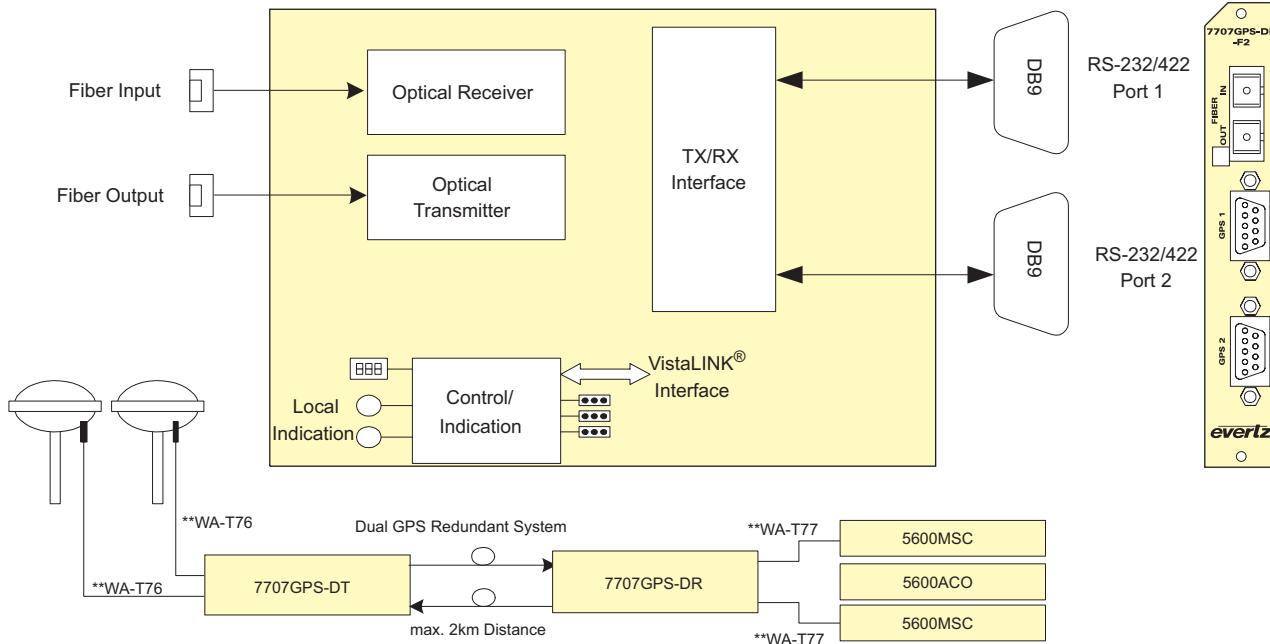




► Features & Benefits

- Transports GPS data signals from two Trimble Acutime series Smart Antennas simultaneously
- Allows user to run 1 or 2 Acutime series GPS heads for primary and redundant links
- All configuration settings are controllable through the card-edge user interface, or VistaLINK®
- Optical output wavelength of 1310nm or 1550nm provides a 2km transmission distance of GPS data signal
- Low latency
- Compatible with multi-mode and single-mode fiber (contact factory for multi-mode applications)
- SC/PC, ST/PC, or FC/PC fiber connector options
- Fully hot-swappable from front of frame
- Comprehensive signal and card status monitoring via four digit card edge display or remotely through SNMP and VistaLINK®
- VistaLINK® capability is available when modules are used with the 3RU 7800FR or 350FR frame and a 7700FC VistaLINK® Frame Controller module in slot 1 of the frame



**Evertz recommends that only these cables be used for connecting the specified equipment to the 7707GPS-DT and 7707GPS-DR. See Accessories for ordering details.

► Specifications

<p>GPS Serial Data: Number of Signals: 2 bi-directional GPS signals Connector: 2xDB-9 connectors Type: RS-232 or RS-422 (selectable) Bit Rate RS-232/RS-422: 115kb/s</p> <p>Optical Input/Outputs: Number of Connections: 2 Connector: Female SC/PC, ST/PC or FC/PC Max. Input Power: 0dBm Input Optical Sensitivity: -22dBm Fiber Size and Type: 9µm core/single mode on TX, 62.5µm core/multi-mode on RX Output Wavelength: 1310nm, 1550nm (nominal)</p>	<p>Output Power: 1310nm FP (Standard): -7dBm ±1dBm 1550nm DFB: 0dBm ±1dBm</p> <p>Electrical: Voltage: +12V DC Power: 6W</p> <p>GPS Power: Voltage: +17V DC Power: 7W Current: 200mA</p> <p>Connecting Cables** (see Ordering Options): Number of cables 2</p>	<p>Physical (number of slots): 350FR: 1 7700FR-C: 1 7800FR: 1</p> <p>Compliance: Laser Safety: Class 1 laser product Complies with 24 CFR 1040.10 and 1040.11 IEC 60825-1 EMI/RFI: Complies with FCC Part 15, Class A EU EMC Directive</p>
--	---	--

► Ordering Information

7707GPS-DR13-F2	Dual GPS Data Fiber Receiver, 1310nm FP Tx and Rx
7707GPS-DR15-F2	Dual GPS Data Fiber Receiver, 1550nm DFB Tx and Rx

Ordering Options Rear Plate and Fiber Connector must be specified at time of order
 Eg: Model +SC +3RU

Rear Plate Suffix
+3RU 3RU Rear Plate for use with 350FR, 7700FR-C or 7800FR Multiframe
+1RU 1RU rear plate for use with 7701FR Multiframe
+SA Standalone Enclosure Rear Plate

Connector Suffix
+SC SC/PC
+ST ST/PC
+FC FC/PC

Accessories

WA-T76 100' IF cable for 5600MSC, GPSII and 7707GPS-DT
WA-T77 100' IF cable for 7707GPS-DR to 5600MSC

Notes**

**Please specify the quantity of WA-T76 and WA-T77 cables required to connect the 7707GPS-DT and 7707GPS-DR to the Acutime Head and 5600MSC or 5010-GPSII respectively. The 7707GPS-DT and 7707GPS-DR are only compatible with the WA-T76 and WA-T77 cables. See diagram and Accessories for more information.

Enclosures

350FR 3RU Portable Multiframe which holds up to 7 single slot modules
7700FR-C 3RU Multiframe which holds up to 15 single slot modules
7800FR 3RU Multiframe which holds up to 15 single slot modules
7801FR 1RU Multiframe which holds up to 4 single or 2 dual slot modules
7701FR 1RU Multiframe which holds up to 3 single or dual slot modules
S7701FR Standalone Enclosure