

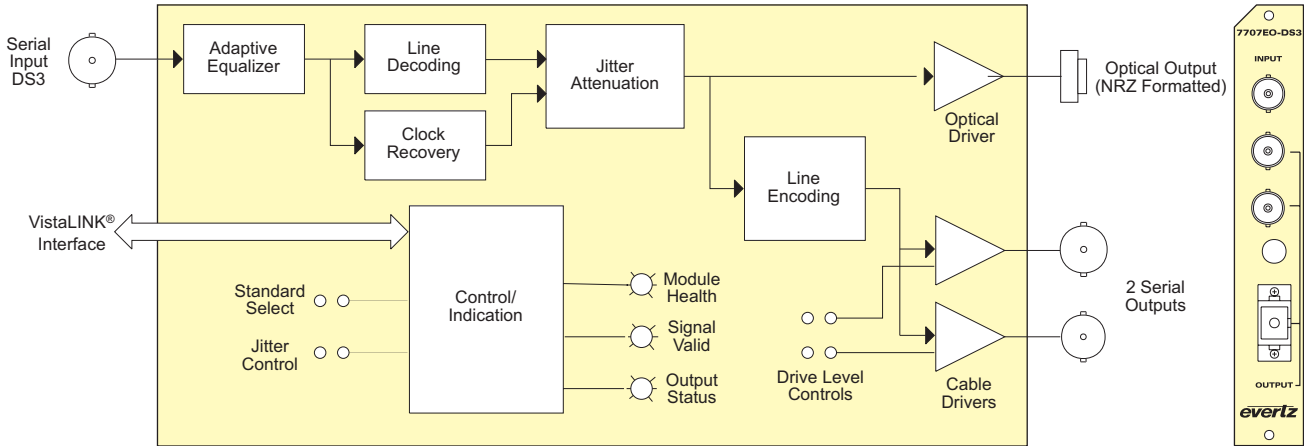
# 7707EO-DS3

## DS3 Electrical to Optical Converter



### ► Features & Benefits

- Electrical to optical converter for DS3 (44.736Mb/s)
- Automatic cable equalization for up to 300m of high quality 75Ω coaxial cable
- Signal reclocking and jitter attenuation
- Output wave shaping for G.703 standards compliance
- Loss of signal (LOS) detection/indication (ANSI T1.231-1999 and ITU G.775)
- Electrical output drive level control for enhanced distance
- Transformer coupled inputs/outputs
- Optical output wavelengths of 1310nm, 1550nm, and up to sixteen CWDM wavelengths (ITU-T G.694.2 compliant)
- DWDM wavelengths (ITU-T G.694.1 compliant) also available
- Supports single-mode and multi-mode fiber optic cable (contact factory for multi-mode applications)
- Fully hot-swappable from front of frame
- Occupies one card slot and can be housed in a 1RU frame that will hold up to 3 modules, a 3RU frame that will hold up to 15 modules, a 350FR portable frame that will hold up to 7 modules or a standalone enclosure which holds 1 module
- Comprehensive signal and card status monitoring via four digit card edge display or remotely through SNMP and VistaLINK®
- VistaLINK® capability is available when modules are used with the 3RU 7800FR or 350FR frame and a 7700FC VistaLINK® Frame Controller module in slot 1 of the frame



### ► Specifications

<b>Inputs:</b> Standard: G.703 @ 44.736Mb/s Connector: 1 Isolated BNC input Equalization: Automatic to 300m with Belden 8281 or equivalent cable Return Loss: > 20dB up to 44Mb/s  <b>Outputs:</b> Standard: G.703 @ 44.736Mb/s Number of Outputs: 2 Per Card-Reclocked Connector: 1 BNC per IEC 61169-8 Annex A Waveform: Conforms to G.703 compliant masks Return Loss: > 15dB up to 44.736Mb/s Drive Level: High: For driving cable lengths > 70m Low: For driving cable lengths < 70m	<b>Optical Output:</b> Number of Outputs: 1 Scrambled DS3 @ 44.736Mb/s Connector: Female SC/PC, ST/PC or FC/PC Return Loss: > 14dB Fiber Size: 9µm core/125µm overall Wavelengths: (See ordering information) Output Power: 1310nm FP: -7dBm ±1dB 1550nm/CWDM DFB: 0dBm ±1dB DWDM DFB: 7dBm ±1dBm  <b>Electrical:</b> Voltage: +12V DC Power: 6W (Non-DWDM), 9W (DWDM) EMI/RFI: Complies with FCC Part 15, Class A EU EMC Directive	<b>Physical (number of slots):</b> 350FR: 1 7700FR-C: 1 7800FR: 1  <b>Compliance:</b> Laser Safety: Class 1 laser product Complies with 24 CFR 1040.10 and 1040.11 IEC 60825-1 EMI/RFI: Complies with FCC Part 15, Class A EU EMC directive
---	--	---

### ► Ordering Information

**7707EO13-DS3** DS3 Electrical to Optical Converter, VistaLINK®, 1310nm, FP Laser  
**7707EO15-DS3** DS3 Electrical to Optical Converter, 1550nm DFB Laser, VistaLINK®

*For CWDM, please refer to the end of the fiber section for ordering information*  
**7707EOxx-DS3** DS3 Electrical to Optical Converter, CWDM DFB Laser, VistaLINK®

*For DWDM, please refer to the end of the fiber section for ordering information*  
**7707EODxxx-DS3** DS3 (45Mb/s) Electrical to Optical Converter, DWDM Laser, +7dBm, VistaLINK®

**Ordering Options** Rear Plate and Fiber Connector must be specified at time of order  
 Eg: Model +SC +3RU

**Rear Plate Suffix**  
**+3RU** 3RU Rear Plate for use with 350FR, 7700FR-C or 7800FR Multiframe  
**+1RU** 1RU Rear Plate for use with 7701FR Multiframe  
**+SA** Standalone Enclosure Rear Plate

**Connector Suffix**  
**+SC** SC/PC  
**+ST** ST/PC  
**+FC** FC/PC

**Enclosures**  
**350FR** 3RU Portable Multiframe which holds up to 7 single slot modules  
**7700FR-C** 3RU Multiframe which holds up to 15 single slot modules  
**7800FR** 3RU Multiframe which holds up to 15 single slot modules  
**7801FR** 1RU Multiframe which holds up to 4 single or 2 dual slot modules  
**7701FR** 1RU Multiframe which holds up to 3 single or dual slot modules  
**S7701FR** Standalone Enclosure