

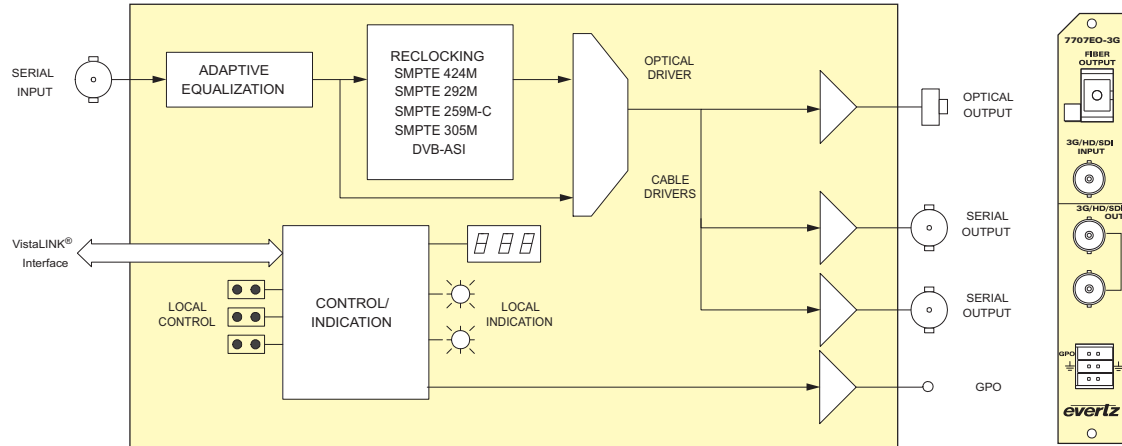
7707EO-3G

3G/HD/SD Electrical to Optical Converter



Features & Benefits

- Supports all SMPTE 424M standards at 2.970Gb/s
- Supports all ST 292-1 standards at 1.485Gb/s
- Supports SMPTE 259-C standards at 270Mb/s
- Supports DVB-ASI (270Mb/s) and SMPTE 305M (SDTi) rates
- Auto rate selection, indication and relocking for SD-SDI/HD/3G data rates from 270Mb/s to 2.970Gb/s
- Selectable non-relock mode for other data rates
- Programmable general purpose output (GPO)
- Automatic input equalization up to 100m to 1.5Gb/s, 250m to 270Mb/s and 70m to 3Gb/s
- Optical output wavelengths of 1310nm, 1550nm, and up to sixteen CWDM wavelengths (ITU-T G.694.2 compliant)
- DWDM wavelengths (ITU-T G.694.1 compliant) also available
- Supports single-mode and multi-mode fiber optic cable (contact factory for multi-mode applications)
- Fully hot-swappable from front of frame
- Comprehensive signal and card status monitoring via four digit card edge display or remotely through SNMP and VistaLINK®
- VistaLINK® capability is available when modules are used with a 3RU frame and a 7700FC VistaLINK® Frame Controller module in slot 1 of the frame
- Occupies one card slot and can be housed in either a 1RU frame that will hold up to three modules, a 3RU frame that will hold up to 15 modules, or a standalone enclosure, which will hold one module



Specifications

Serial Video Input: Standards: Reclocked: SMPTE 424M, ST 292-1, SMPTE 259-C, SMPTE 305M, DVB-ASI Non-Reclocked: Any bi-level signal type at rates of 270Mb/s to 2.970Gb/s Connector: 1 BNC per IEC 61169-8 Annex A Equalization: Automatic to 100m @ 1.485Gb/s, 70m @ 3Gb/s with Belden 1694A or equivalent cable and 250m @ 270Mb/s with Belden 8281 or equivalent cable Return Loss: > 15dB to 1.5GHz, > 10dB to 3GHz		Optical Output: Standard: SMPTE 297M Number of Outputs: 1 Connector: Female SC/PC, ST/PC or FC/PC Return Loss: > 14dB Rise and Fall Time: < 135ps (HD/3G), < 900ps (SD) Alignment Jitter: < 0.2 UI (Reclocked) to 1.485 Gb/s, < 0.3 UI (Reclocked) to 2.97Gb/s Wavelengths: See Ordering Information Output Power: 1310nm FP: -7dBm ±1dBm, CWDM: 0dBm ±1dBm, DWDM: 7dBm ±1dBm		Electrical: Voltage: +12V DC Power: Non-DWDM: 8W, DWDM: 11W EMI/RFI: Complies with FCC Part 15, Class A, EU EMC Directive	
Serial Video Outputs: Number of Outputs: 2 Per Card (>10dB to >3GHz) Connector: BNC per IEC 61169-8 Annex A Signal Level: 800mV ±80mV DC Offset: 0V ±0.5V Rise and Fall Time: < 135ps (HD/3G), < 900ps (SD) Overshoot: < 10% of amplitude Return Loss: > 15dB to 1.5GHz, > 10dB to 3GHz Alignment Jitter: < 0.2 UI (Reclocked) to 1.485Gb/s, < 0.3 UI (Reclocked) to 2.97Gb/s		General Purpose Outputs: Type: Dry contact relay closure (normally open) Number of Outputs: 1 Connector: Multi-pin removable terminal block Max Current: 500mA @ 12V		Physical (number of slots): 350FR: 1 7700FR-C: 1 7800FR: 1	
		Compliance: Electrical Safety: CSA Listed to UL 60065-03, IEC 60065, Complies with CE Low voltage Directive Laser Safety: Class 1 laser product, Complies with 24 CFR 1040.10 and 1040.11, IEC 60825-1 EMI/RFI: Complies with FCC Part 15, Class A, EU EMC directive			

Ordering Information

7707EO13-3G	3G/HD/SD Electrical to Optical Converter, 1310nm FP Laser
<i>For CWDM, please refer to the end of the fiber section for ordering information</i>	
7707EOxx-3G	3G/HD/SD Electrical to Optical Converter, CWDM DFB Laser
<i>For DWDM, please refer to the end of the fiber section for ordering information</i>	
7707EODxxx-3G	3G/HD/SD Electrical to Optical Converter, DWDM DFB Laser

Ordering Options Rear Plate and Fiber Connector must be specified at time of order (Eg: Model +SC +3RU)

Rear Plate Suffix	
+3RU	3RU Rear Plate for use with 350FR, 7700FR-C or 7800FR Multiframe
+1RU	1RU Rear Plate for use with 7701FR Multiframe
+SA	Standalone Enclosure Rear Plate

Connector Suffix	
+SC	SC/PC
+ST	ST/PC
+FC	FC/PC

Accessories
Fiber Optic Patch Cable
 See CWDM & DWDM Ordering Information Page

Enclosures	
350FR	3RU Portable Multiframe which holds up to 7 single slot modules
7700FR-C	3RU Multiframe which holds up to 15 single slot modules
7701FR	1RU Multiframe which holds up to 3 single or dual slot modules
7800FR	3RU Multiframe which holds up to 15 single slot modules
7801FR	1RU Multiframe which holds up to 4 single or 2 dual slot modules
S7701FR	Standalone enclosure

The Complete Solution Provider

