

7707EO-3

Triple SDI Electrical to Optical Converter, 19.4Mb/s or 143-540Mb/s



Features & Benefits

- Triple SDI electrical to optical converter for 3 independent channels
- Provides 45 independent channels of optical conversion, in a single 3RU frame
- Supports all SMPTE 259M standards with operation from 143Mb/s-360Mb/s
- Supports additional standards of SMPTE 305M (SDTi), SMPTE 310M (19.4Mb/s), SMPTE 344M (540Mb/s), M2S and DVB-ASI (270Mb/s)
- Supports multi-mode or single-mode fiber
- Fully hot-swappable from front of frame, with no fiber or BNC disconnect/reconnect required
- Occupies one card slot and can be housed in either a 1RU frame which will hold up to 3 modules, a 3RU frame which will hold up to 15 modules, 350FR portable frame that holds up to 7 modules or a standalone frame which will hold 1 module
- Comprehensive signal and card status monitoring via four digit card edge display

Inputs

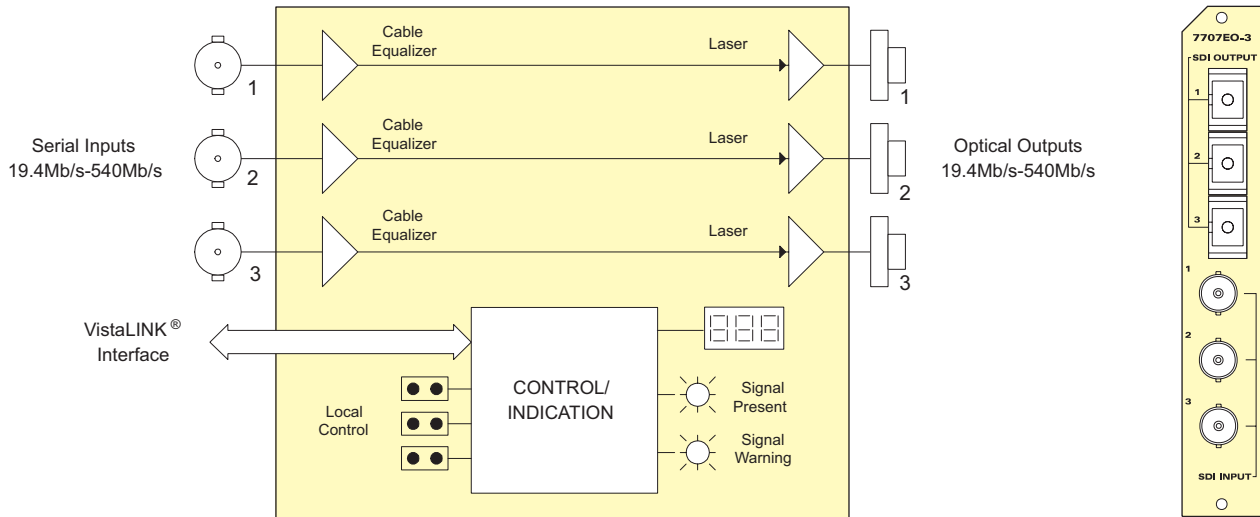
- Three independent serial digital BNC inputs, each providing cable equalization to > 300m @ 270Mb/s (Belden 8281)

Outputs

- Three independent fiber outputs
- Optical output wavelength of 1310nm
- SC/PC, ST/PC, FC/PC connector options

Status LEDs

- Signal presence indication for each channel
- Laser status indication for each channel
- Module status indication



Specifications

Standards: SMPTE 259M A, B, C, D, SMPTE 297M, SMPTE 305M, SMPTE 310M, SMPTE 344M, M2S, DVB-ASI

Serial Video Input:

Number of Inputs: 3 (independent channels)
 Connector: 3 BNC per IEC 61169-8 Annex A
 Equalization: Automatic to 300m @ 270Mb/s, with Belden 8281 (or equivalent)
 Return Loss: > 15dB up to 540Mb/s

Optical Outputs:

Number of Outputs: 3 (independent channels)
 Connector: SC/PC, ST/PC, FC/PC female housing
 Return Loss: > 14dB
 Rise/Fall Time: 400-700ps
 Jitter: < 0.2 UI
 Nominal Wavelength: 1310nm
 Optical Power: -7dBm ±1dBm

Electrical:

Voltage: +12V DC
 Power: 7W

Physical (number of slots):

350FR: 1
 7700FR-C: 1
 7800FR: 1

Compliance:

Laser Safety: Class 1 laser product
 Complies with 24 CFR 1040.10 and 1040.11
 IEC 60825-1
 EMI/RFI: Complies with FCC Part 15, Class A
 EU EMC directive

Receiver Compatibility Chart:

MODEL #	SD-SDI	HD-SDI
2405/7705/7707OE	x	
2405/7705/7707OE-HD	x	
7705/7707OE-3	x	
7705/7707OE-3-HD	x	
7707ADVR	x	
7707ADVR-HD	x	
7707VAR-HD	x	

Ordering Information

7707EO13-3 Triple SDI Optical to Electrical Converter, 19.4Mb/s or 143-540Mb/s, 1310nm, FP laser VistaLINK® Monitoring

Fiber Optic Patch Cable

See CWDM & DWDM Ordering Information Page

Ordering Options Rear Plate and Fiber Connector must be specified at time of order
 Eg. Model +3RU +SC

Rear Plate Suffix

+3RU 3RU Rear Plate for use with 350FR, 7700FR-C or 7800FR Multiframe
 +1RU 1RU Rear Plate for use with 7701FR Multiframe
 +SA Standalone Enclosure Rear Plate

Connector Suffix

+SC SC/PC
 +ST ST/PC
 +FC FC/PC

Enclosures

350FR 3RU Portable Multiframe which holds up to 7 single slot modules
7700FR-C 3RU Multiframe which holds up to 15 single slot modules
7800FR 3RU Multiframe which holds up to 15 single slot modules
7801FR 1RU Multiframe which holds up to 4 single or 2 dual slot modules
7701FR 1RU Multiframe which holds up to 3 single or dual slot modules
S7701FR Standalone Enclosure