

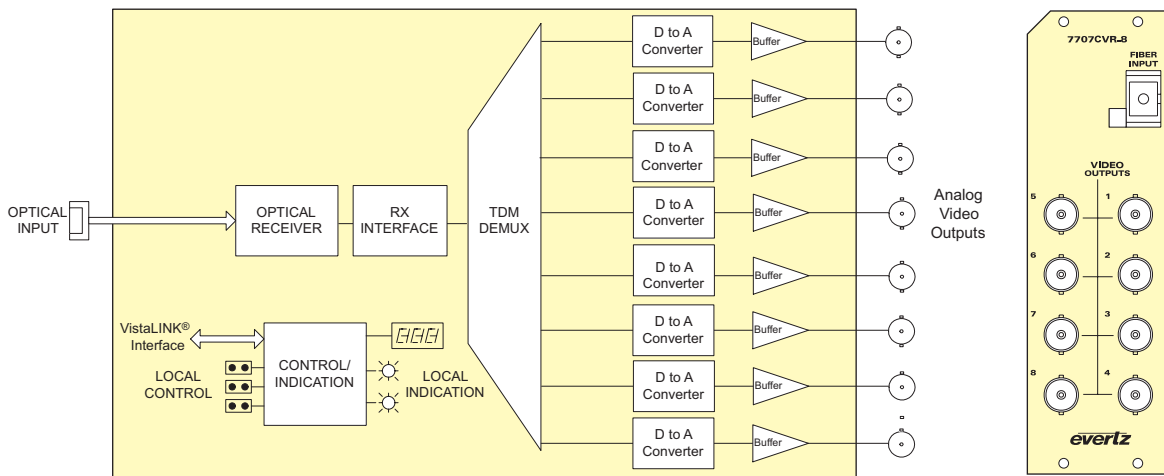


The 7707CVR-8 is a VistaLINK® -capable, composite analog video fiber receiver for broadcast quality video signals. This single card module accepts a fiber optic input from the companion 7707CVT-8 composite analog video fiber transmitter, demultiplexes the signals, performs D to A conversion and outputs NTSC or PAL analog video.

The 7707CVR-8 occupies two card slots and can be housed in a 1RU frame which will hold up to 3 modules, a 3RU frame which will hold up to 7 modules, a 350FR portable frame which holds up to 3 modules, or a standalone enclosure which will hold 1 module.

### ► Features & Benefits

- Single card fiber optic receiver for up to eight analog video signals
- Supports both NTSC and PAL video signals
- Broadcast quality analog video performance
- Meets or exceeds EIA/TIA RS250-C short haul specifications for analog video transport
- Adjustable gain, DC offset and pre-emphasis for up to 250m of Belden 1694A coaxial cable
- Comprehensive signal and card status monitoring via four digit card edge display or remotely through SNMP and VistaLINK®
- VistaLINK® capability is available when modules are used with the 3RU 7800FR or 350FR portable frame and a 7700FC VistaLINK® Frame Controller module in slot 1 of the frame
- Fully hot-swappable from front of frame with no fiber disconnect/reconnect required
- Supports single-mode and multi-mode fiber optic cable (contact factory for multi-mode applications)
- Accepts any wavelength in the 1270nm to 1610nm range



### ► Specifications

<p><b>Optical Input:</b>                  Number of Inputs: 1                  Connector: Female SC/PC, ST/PC, FC/PC                  Operating Wavelength: 1270nm to 1610nm                  Maximum Input Power: 0dBm                  Optical Sensitivity:                  Standard: -23dBm                  High Sensitivity: -28dBm</p>	<p>Output Impedance: 75Ω                  Return Loss: &gt; 20dB                  SNR: &gt; 70dB                  Differential Gain: &lt; 1.0%                  Differential Phase: &lt; 0.7°                  Pre-Emphasis: Cable loss compensation for up to 250m of Belden 1694A (each output adjustable separately)</p>	<p><b>Electrical:</b>                  Voltage: +12V DC                  Power: 13W</p>
<p><b>Analog Video Outputs:</b>                  Standards: NTSC, SMPTE 170M, PAL, ITU-R624-4                  Number of Outputs: 8                  Connector: BNC per IEC 61169-8 Annex A                  System bandwidth: 5.5MHz                  Output Level: 1V p-p (nominal), 2V p-p maximum                  Gain: Unity gain nominal, adjustable 50% to 150%</p>	<p>Passband Ripple:                  NTSC: &lt; ±0.1dB to 4.1MHz and &lt; ±0.2dB to 5.5MHz                  PAL: &lt; ±0.1dB to 4.8MHz and &lt; ±0.2dB to 5.8MHz                  Chroma/Luma Gain: 98% - 103%                  Chroma/Luma Delay:                  NTSC: &lt; 5ns                  PAL: &lt; 12ns Line Time Distortion: 1.2%</p>	<p><b>Compliance:</b>                  Laser Safety: Class 1 laser product                  Complies with 24 CFR 1040.10 and 1040.11 IEC 60825-1                  EMI/RFI: Complies with FCC Part 15, Class A EU EMC directive</p>
		<p><b>Physical (number of slots):</b>                  350FR: 2                  7700FR-C: 2                  7800FR: 2</p>

### ► Ordering Information

<b>7707CVR-8</b>	Eight Analog Video Fiber Receiver, VistaLINK®
<b>7707CVR-8-H</b>	Eight Analog Video Fiber Receiver, High Sensitivity, VistaLINK®

**Ordering Options** Rear Plate must be specified at time of order  
 Eg: Model + 3RU

<b>Rear Plate Suffix</b>	
<b>+3RU</b>	3RU Rear Plate for use with 350FR, 7700FR-C or 7800FR Multiframe
<b>+1RU</b>	1RU Rear Plate for use with 7701FR Multiframe
<b>+SA</b>	Standalone Enclosure Rear Plate

<b>Connector Suffix</b>	
<b>+SC</b>	SC/PC
<b>+ST</b>	ST/PC
<b>+FC</b>	FC/PC

<b>Enclosures:</b>	
<b>350FR</b>	3RU Portable Multiframe which holds up to 7 single slot modules
<b>7700FR-C</b>	3RU Multiframe which holds up to 15 single slot modules
<b>7800FR</b>	3RU Multiframe which holds up to 15 single slot modules
<b>7801FR</b>	1RU Multiframe which holds up to 4 single or 2 dual slot modules
<b>7701FR</b>	1RU Multiframe which holds up to 3 single or dual slot modules
<b>S7701FR</b>	Standalone Enclosure