

# 7707CVR-4, 7707CVR-4-A16

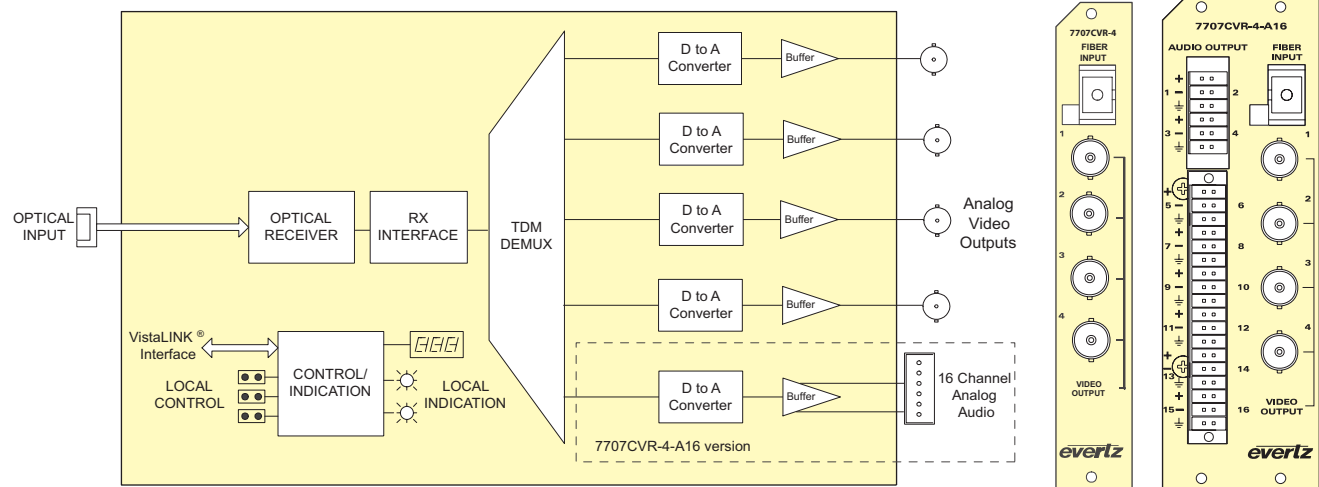
## Quad Analog Video and 16 Analog Audio Fiber Receiver

The 7707CVR-4 and 7707CVR-4-A16 are VistaLINK®-capable, composite analog analog/video fiber receivers for broadcast quality analog video and audio signals. These single card modules accept fiber optic input from their companions 7707CVT-4 and 7707CVT-4-A16 fiber transmitters, demultiplexes the signals, performs D to A conversion and outputs NTSC or PAL analog video and audio.

The 7707CVR-4 occupies a single slot where as the 7707CVR-4-A16 occupies two card slots and can be housed in a 1RU frame which will hold up to 3 modules, a 7800FR 3RU frame which will hold up to 15 single slot modules, a 350FR portable frame which will hold up to 7 single slot modules or a standalone enclosure that will hold 1 module.

### ► Features & Benefits

- Single card fiber optic receiver for up to four analog video, 16 analog audio signals
- Supports both NTSC and PAL video signals
- Broadcast quality analog video and audio performance
- Meets or exceeds EIA/TIA RS250-C short haul specifications for analog video transport
- Adjustable gain, DC offset and pre-emphasis for up to 250m of Belden 1694A coaxial cable
- Comprehensive signal and card status monitoring via four digit card edge display or remotely through SNMP and VistaLINK®
- VistaLINK® capability is available when modules are used with the 3RU 7800FR or 350FR portable frame and a 7700FC VistaLINK® Frame Controller module slot 1 of the frame
- Fully hot-swappable from front of frame with no fiber disconnect/reconnect required
- Supports single-mode and multi-mode fiber optic cable (contact factory for multi-mode applications)
- Accepts any wavelength in the 1270nm to 1610nm range



### ► Specifications

<p><b>Optical Input:</b>                  Number of Inputs: 1                  Connector: Female SC/PC, ST/PC, FC/PC                  Operating Wavelength: 1270nm to 1610nm                  Max. Input Power: 0dBm                  Optical Sensitivity: Standard: -23dBm, High Sensitivity: -28dBm</p>	<p>Pre-Emphasis: Cable loss compensation for up to 250m of Belden 1694A (each output adjustable separately)</p> <p>Passband Ripple:                  NTSC: &lt; ±0.1dB to 4.1MHz and &lt; ±0.2dB to 5.5MHz                  PAL: &lt; ±0.1dB to 4.8MHz and &lt; ±0.2dB to 5.8MHz</p> <p>Chroma/Luma Gain: 98%-103%                  Chroma/Luma Delay:                  NTSC: &lt; 5ns                  PAL: &lt; 12ns                  Line Time Distortion: 1.2%</p>	<p>SNR (weighted): &gt; 85dB                  Output Level Adj: -20dB to +3dB                  Max Output Level: +24dBu into 10kΩ loads</p> <p><b>Electrical:</b>                  Voltage: +12V DC                  Power: 12W</p>
<p><b>Analog Video Outputs:</b>                  Standards: NTSC, SMPTE 170M, PAL, ITU-R624-4                  Number of Outputs: 4                  Connector: 1 BNC per IEC 61169-8 Annex A                  System bandwidth: 5.5MHz                  Output Level: 1V p-p (nominal), 2V p-p maximum                  Gain: Unity gain nominal, adjustable 50% to 150%                  Output Impedance: 75Ω                  Return Loss: &gt; 20dB                  SNR: &gt; 70dB                  Differential Gain: &lt; 1.0%                  Differential Phase: &lt; 0.7°</p>	<p><b>Analog Audio Outputs (7707CVR-4-A16):</b>                  Number of Outputs: 16                  Type: Balanced analog audio                  Connector: 48-pin removable terminal block                  Output impedance: 66Ω                  Freq. Response: ±0.1dB, 20Hz to 20kHz                  THD 20Hz-20kHz: &lt; 0.005%                  Channel Phase Diff.: ±1°</p>	<p><b>Physical (number of slots):</b>  <b>7707CVR-4:</b>                  350FR: 1                  7700FR-C: 1                  7800FR: 1  <b>7707CVR-A16:</b>                  350FR: 2                  7700FR-C: 2                  7800FR: 2</p>

### ► Ordering Information

<b>7707CVR-4</b>	Quad Analog Video Fiber Receiver, VistaLINK®
<b>7707CVR-4-H</b>	Quad Analog Video Fiber Receiver, High Sensitivity, VistaLINK®
<b>7707CVR-4-A16</b>	Quad Analog Video, 16 Analog Audio, Fiber Receiver, VistaLINK®
<b>7707CVR-4-A16-H</b>	Quad Analog Video, 16 Analog Audio, Fiber Receiver, High Sensitivity, VistaLINK®

**Connector Suffix**

+SC	SC/PC
+ST	ST/PC
+FC	FC/PC

**Ordering Options** Rear Plate and Fiber Connector must be specified at time of order  
 Eg: Model +SC +3RU

**Rear Plate Suffix**

+3RU	3RU Rear Plate for use with 350FR, 7700FR-C or 7800FR Multiframe
+1RU	1RU Rear Plate for use with 7701FR Multiframe
+SA	Standalone Enclosure Rear Plate

**Enclosures**

<b>350FR</b>	3RU Portable Multiframe which holds up to 7 single slot modules
<b>7700FR-C</b>	3RU Multiframe which holds up to 15 single slot modules
<b>7800FR</b>	3RU Multiframe which holds up to 15 single slot modules
<b>7801FR</b>	1RU Multiframe which holds up to 4 single or 2 dual slot modules
<b>7701FR</b>	1RU Multiframe which holds up to 3 single or dual slot modules
<b>S7701FR</b>	Standalone Enclosure