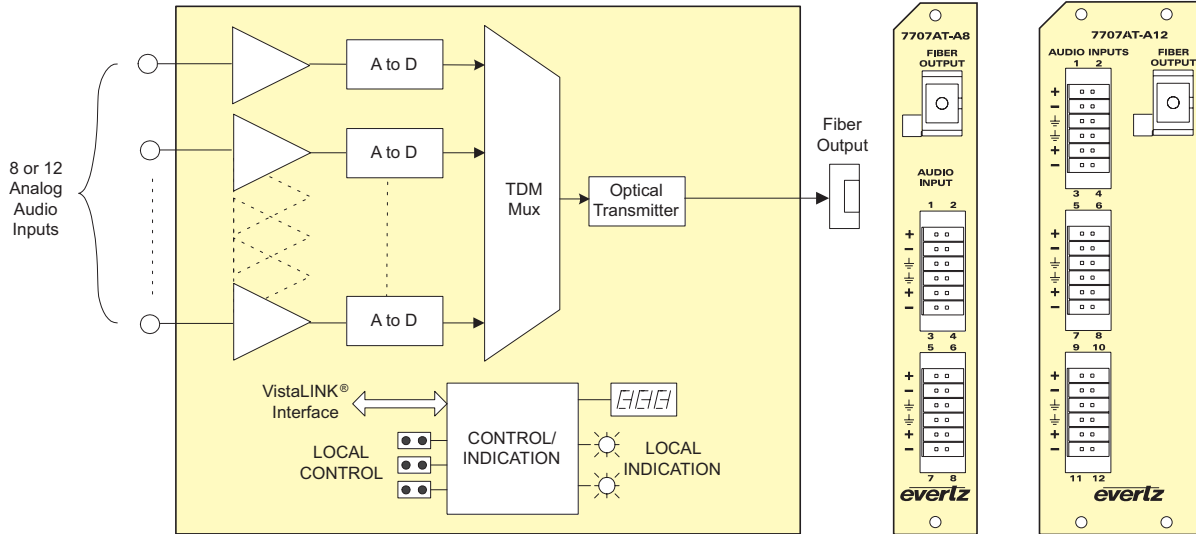




► Features & Benefits

- Eight or twelve professional quality analog audio fiber optic transmitter
- Adjustable audio detection for each channel
- Audio monitoring via card-edge headphone jack with adjustable volume
- All configuration settings controllable through the card-edge user interface, or remotely through SNMP and VistaLINK®
- Optical output wavelengths of 1310nm, 1550nm, and up to sixteen CWDM wavelengths (ITU-T G.694.2 compliant)
- DWDM wavelengths also available (ITU-T G.694.1 compliant)
- Supports single-mode and multi-mode fiber optic cable (contact factory for multi-mode applications)
- SC/PC, ST/PC, or FC/PC fiber connector options
- Fully hot-swappable from front of frame
- Comprehensive signal and card status monitoring via four digit card edge display or remotely through SNMP and VistaLINK®
- VistaLINK® capability is available when modules are used with the 3RU 7800FR or 350FR frame and a 7700FC VistaLINK® Frame Controller module in slot 1 of the frame



► Specifications

<p>Analog Audio Inputs: Number of Inputs: 7707AT-A8: 8 7707AT-A12: 12 Connectors: Multi-pin Removable Terminal Blocks Input Level: +24dBu (max) Frequency Response: ±0.1dB (max, 20Hz to 20kHz) THD + Noise: -90dB or 0.003% (max, 20Hz to 20kHz, @ 0dBFS) Crosstalk: -100dB (max, 20Hz to 20kHz, measured channel connected at input) S/N Ratio: 100dB (min) Channel Phase: ±0.5° (max, 20Hz to 20kHz) Input Impedance: 10kΩ (min, differential) Resolution: 24 Bits</p>	<p>Optical Output: Connector: SC/PC, ST/PC, FC/PC female housing Output Wavelengths: See Ordering Information Output Power: 1310nm FP (Standard): -7dBm (nom) ±1dBm CWDM DFB: 0dBm (nom) ±1dBm DWDM DFB: +7dBm (nom) ±1dBm</p> <p>Electrical: Voltage: 12V DC Power: 7707AT-A8: Non DWDM Laser: 8W (max) DWDM Laser: 10W (max) 7707AT-A12: Non DWDM Laser: 10W (max) DWDM Laser: 12W (max)</p>	<p>Physical (number of slots): 350FR, 7700FR-C, 7800FR: 7707AT-A8: 1 slot 7707AT-A12: 2 slots</p> <p>Compliance: Laser Safety: Class 1 laser product Complies with 24 CFR 1040.10 and 1040.11 IEC 60825-1 Complies with FCC Part 15, Class A EU EMC Directive</p> <p>EMI/RFI:</p>
--	--	---

► Ordering Information

<p>7707AT13-A8 Eight channel Analog Audio Fiber Transmitter Mux, 1310nm FP, VistaLINK®</p> <p>7707AT15-A8 Eight channel Analog Audio Fiber Transmitter Mux, 1550nm DFB, VistaLINK®</p> <p>7707AT13-A12 Twelve channel Analog Audio Fiber Transmitter Mux, 1310nm FP, VistaLINK®</p> <p>7707AT15-A12 Twelve channel Analog Audio Fiber Transmitter Mux, 1550nm DFB, VistaLINK®</p> <p><i>For CWDM, please refer to the end of the fiber section for ordering information</i> 7707ATDxx-A8 Eight channel Analog Audio Fiber Transmitter Mux, CWDM wavelength 7707ATDxx-A12 Twelve channel Analog Audio Mux Fiber Transmitter, CWDM wavelength</p> <p><i>For DWDM, please refer to the end of the fiber section for ordering information</i> 7707ATDxxx-A8 Eight channel Analog Audio Mux Fiber Transmitter, DWDM wavelength 7707ATDxxx-A12 Twelve channel Analog Audio Mux Fiber Transmitter, DWDM wavelength</p>

Connector Suffix

+SC	SC/PC
+ST	ST/PC
+FC	FC/PC

Accessories
Fiber Optic Patch Cable
 See CWDM & DWDM Ordering Information Page

Enclosures

350FR	3RU Portable Multiframe which holds up to 7 single slot modules
7700FR-C	3RU Multiframe which holds up to 15 single slot modules
7800FR	3RU Multiframe which holds up to 15 single slot modules
7801FR	1RU Multiframe which holds up to 4 single or 2 dual slot modules
7701FR	1RU Multiframe which holds up to 3 single or dual slot modules
S7701FR	Standalone Enclosure

Ordering Options Rear Plate and Fiber Connector must be specified at time of order
 Eg: Model +SC +3RU

Rear Plate Suffix

+3RU	3RU Rear Plate for use with 350FR, 7700FR-C or 7800FR Multiframe
+1RU	1RU Rear Plate for use with 7701FR Multiframe
+SA	Standalone Enclosure Rear Plate