

7707ADVR

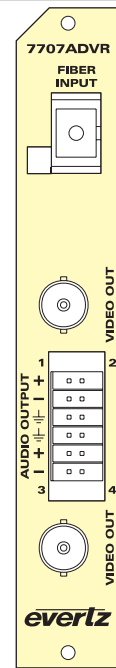
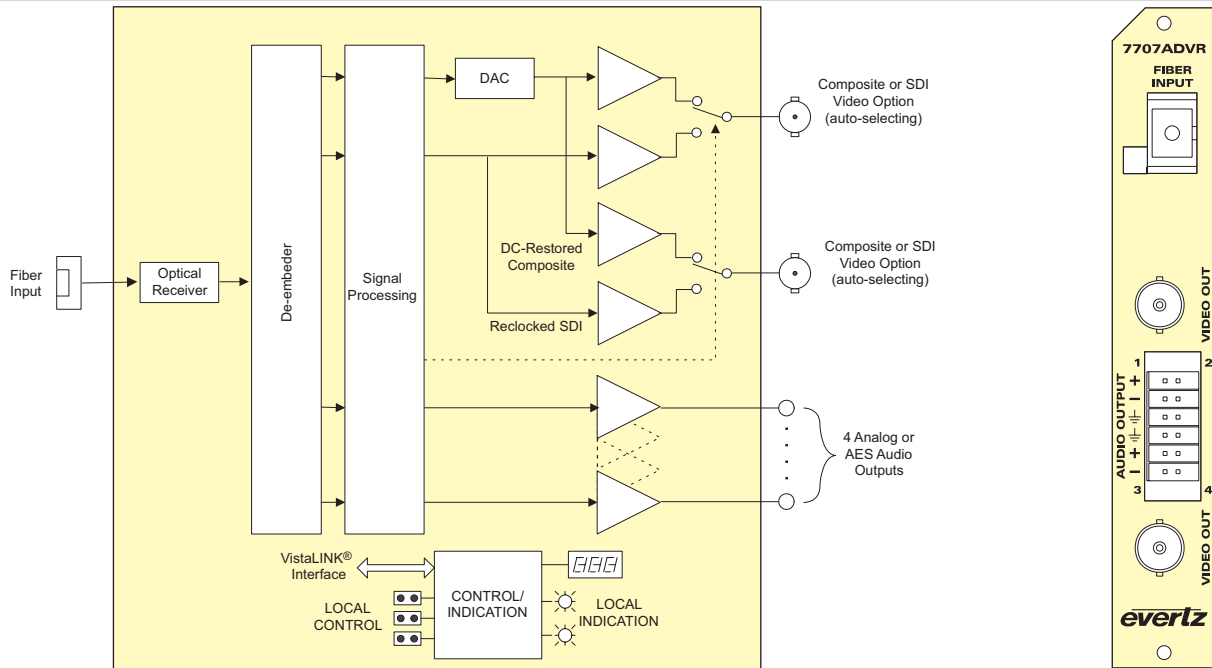
Analog or SDI Video with 4-Channel Analog or AES Audio Fiber Receiver



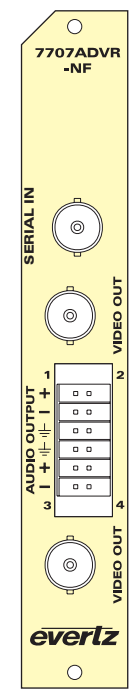
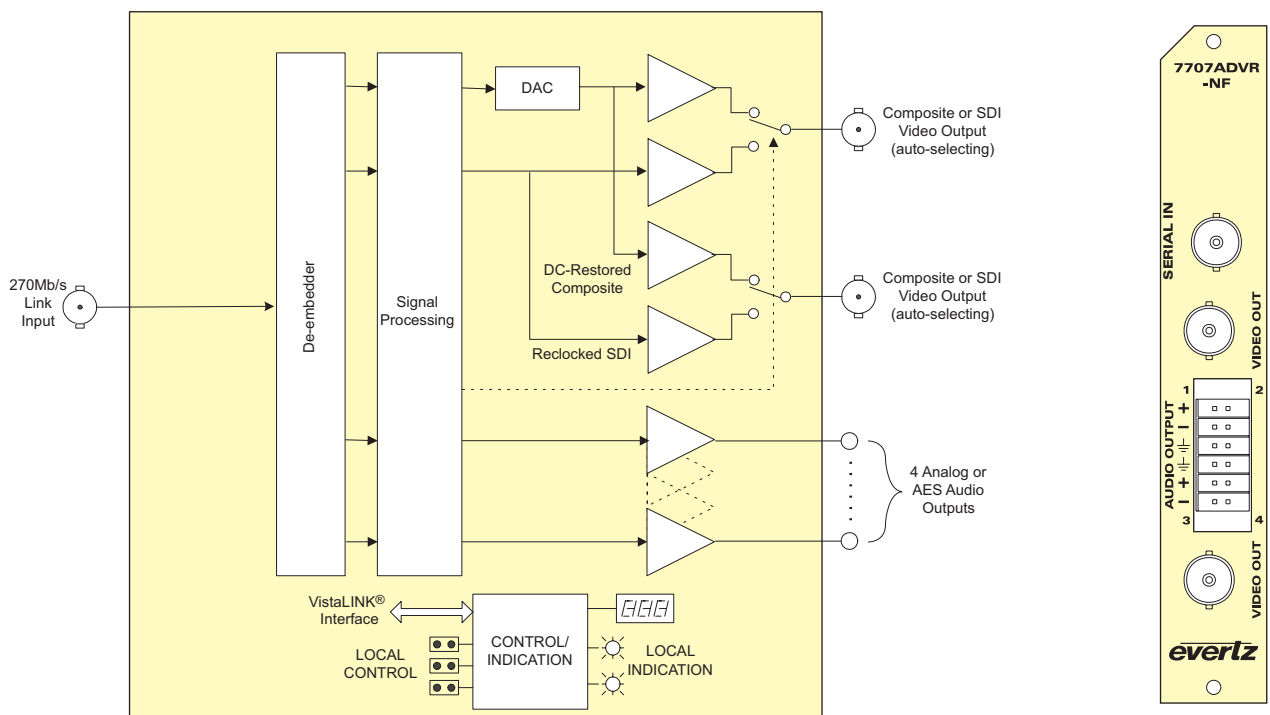
► Features & Benefits

- Single card fiber optic receiver for one composite Analog or SDI video and four analog or AES audio signals
- Auto sensing (analog or digital) video and audio outputs
- Supports both NTSC and PAL analog or 4:2:2 component digital video
- Supports Analog to Digital and Digital to Analog audio conversion
- Broadcast quality analog video and audio performance
- Meets or exceeds EIA/TIA RS250-C short haul specifications for analog video and audio transport
- Supports 32kHz, 44.1kHz, 48kHz AES audio
- Comprehensive signal and card status monitoring via four digit card edge display or remotely through SNMP and VistaLINK®
- Dolby-E® compatible
- Audio de-embedding capability for digital video and Analog or AES Audio
- -NF version converts copper 270Mb/s link input back to video & audio
- VistaLINK® capability is available when modules are used with the 3RU 7800FR or 350FR frame and a 7700FC VistaLINK® Frame Controller module in slot 1 of the frame
- Adjustable gain, DC offset and pre-emphasis for driving up to 250m of Belden 1694A coaxial cable
- Fully hot-swappable from front of frame with no fiber disconnect/reconnect required
- Supports single-mode and multi-mode fiber optic cable (contact factory for multi-mode applications)
- Input available with fiber optics or BNC (-NF version)
- Wideband optical input (1270nm-1610nm)
- Passes embedded and/or external audio for digital video

► 7707ADVR Block Diagram



► 7707ADVR-NF Block Diagram





► Specifications

Analog Video Outputs:

Standard: SMPTE 170M, (NTSC), ITU-R 624-2 (PAL)
 Number of Outputs: 2 BNC per IEC 61169-8 Annex A
 System bandwidth: > 5.5MHz
 Output Level: 1V p-p (nominal), 2V p-p (maximum)
 Gain: Unity gain nominal, adjustable 50% to 150%
 Output Impedance: 75Ω
 Return Loss: > 30dB to 5.5MHz
 SNR: > 70dB
 Differential Gain: < 1.0%
 Differential Phase: < 0.7°
 Pre-Emphasis: Adjustable cable loss compensation for up to 250m of Belden 1694A
 Passband Ripple:
 NTSC: < ±0.1dB to 4.1MHz and < ±0.2dB to 5.5MHz
 PAL: < ±0.1dB to 4.8MHz and < ±0.2dB to 5.8MHz
 Chroma/Luma Gain: 98%-103%
 Chroma/Luma Delay:
 NTSC: < 5ns
 PAL: < 12ns
 Line Time Distortion: 1.2%

Serial Video Output:

Number of Outputs: 2 regenerated
 Standard: SMPTE 259M-C (525 or 625 line components)
 SMPTE 305M (SDTi), DVB-ASI (without separate audio)
 Connector: 1 BNC per IEC 61169-8 Annex A
 Equalization: Automatic to 300m with Belden 1694A (or equivalent)
 Signal Level: 800mV nominal
 DC Offset: 0V ±0.5V
 Rise and Fall Time: 900ps nominal
 Overshoot: < 10% of amplitude
 Return Loss: > 15dB at 270Mb/s
 Wide Band Jitter: < 0.2 UI

Serial Input:

Number of Inputs: 1
 Connector: 1 BNC per IEC 61169-8 Annex A
 Signal Level: 800mV nominal
 DC Offset: 0V ± 0.5U
 Rise & Fall Time: 900ps nominal
 Overshoot: < 10% of amplitude
 Return Loss: > 15dB at 270Mb/s
 Wideband jitter: < 0.2 UI

Analog Audio Outputs:

Number of Outputs: 4
 Type: Balanced analog audio
 Connector: 12-pin removable terminal block
 Output impedance: 66Ω
 Freq. Response: ±0.1dB, 20Hz to 20kHz
 THD 20Hz-20kHz: < 0.005%
 Channel Phase Diff.: ±1°
 SNR (weighted): > 85dB
 Output Level Adj: -20dB to +3dB
 Max Output Level: +24dBu into 10kΩ loads

AES Audio Outputs:

Number of Outputs: 4 regenerated (selectable for balanced or unbalanced)
 Standard:
 Unbalanced AES: SMPTE 276M
 Balanced AES: AES3-1992
 Other: Dolby-E® compatible
 Connector: 12-pin removable terminal block
 Input Return Loss: >15dB (1MHz to 6MHz)
 Signal Level:
 Unbalanced: 1V p-p ±0.1V p-p
 Balanced: 2V p-p ±0.1V p-p
 Resolution: Up to 24-bits
 Sampling Rate: 32kHz, 44.1kHz, 48kHz
 Output Jitter: < 0.1 UI
 Impedance:
 Unbalanced: 75Ω
 Balanced: 110Ω

Optical Input:

Number of Inputs: 1
 Connector: Female SC/PC, ST/PC, FC/PC
 Operating Wavelength: 1270nm to 1610nm
 Max. Input Power: 0dBm
 Optical Sensitivity: -30 dBm

Electrical:

Voltage: +12V DC
 Power: 13W
 EMI/RFI: Complies with FCC Part 15, Class A
 EU EMC Directive

Physical (number of slots):

350FR: 1
 7700FR-C: 1
 7701FR: 1
 7800FR: 1

MODEL #	SD-SDI/DVB-ASI	HD-SDI
2405/7705/7707EO	x	
2405/7705/7707EO-HD	x	
7705/7707EO-3	x	
7705/7707EO-3-HD	x	
7707ADVT	x	
7707ADVT-HD	x	
7707VAT-HD	x	

Transmitter Compatibility Chart:

► Ordering Information

7707ADVR	Analog or SDI video with 4-channel analog or AES audio fiber optic receiver
7707ADVR-NF	Analog or SDI video with 4-channel analog or AES electrical input only receiver

Connector Suffix

+SC	SC/PC
+ST	ST/PC
+FC	FC/PC

Enclosures

350FR	3RU Portable Multiframe which holds up to 7 single slot modules
7700FR-C	3RU Multiframe which holds up to 15 single slot modules
7800FR	3RU Multiframe which holds up to 15 single slot modules
7801FR	1RU Multiframe which holds up to 4 single or 2 dual slot modules
7701FR	1RU Multiframe which holds up to 3 single or dual slot modules

Ordering Options Rear Plate and Fiber Connector must be specified at time of order
 Eg: Model +SC +3RU

Rear Plate Suffix

+3RU 3RU Rear Plate for use with 7800FR Multiframe