

7706LR

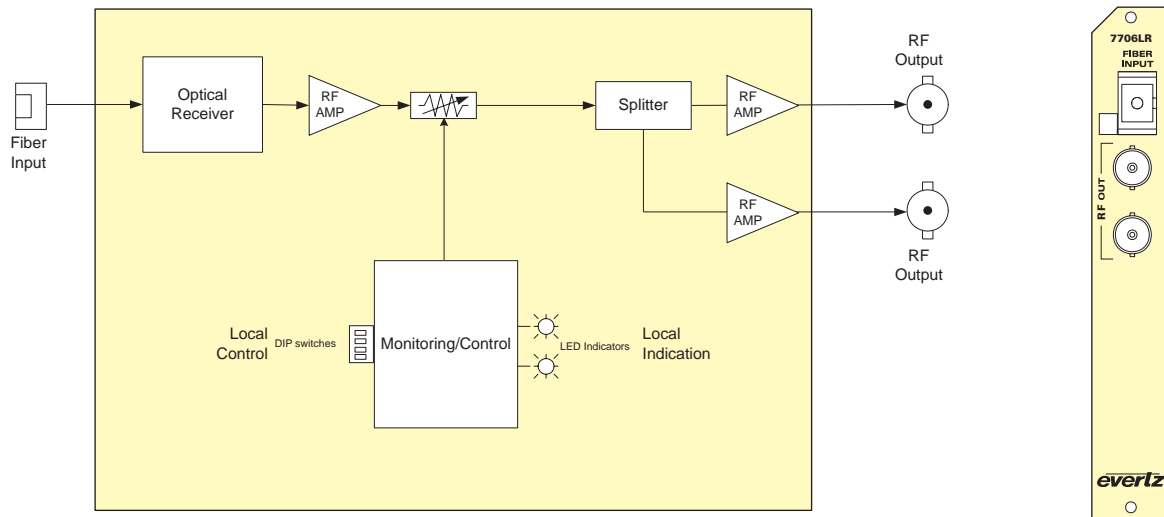
Wideband RF Fiber Receiver

The 7706LR is a fiber optic receiver for extended L-Band and other signals. It accepts a fiber optic input from a companion transmitter and provide an electrical output signal. Control of the card is provided locally at the card edge via DIP Switches.

The 7706LR occupies one card slot and can be housed in a 1RU frame that will hold up to 3 modules, a 3RU frame that will hold up to 15 modules, a 350FR portable frame that will hold up to 7 modules or a standalone enclosure which holds 1 module.

►Features & Benefits

- Protocol transparent - receives all video, audio and data modulation formats
- Supports manual and automatic (AGC) gain control modes
- Two buffered RF outputs for extra signal distribution or monitoring functions
- RF output independent of optical loss (within AGC range)
- Available with BNC or F-Type connector options
- Wide range optical input (1270nm to 1610nm)
- Supports single-mode and multi-mode fiber optic cable
- Available with SC/UPC, ST/UPC, FC/UPC, SC/APC and FC/APC connector options
- Fully hot-swappable from front of frame



►Specifications

RF Outputs: Number of Outputs: 2 Connector: BNC per IEC 61169-8 Annex A (F-type and SMA Optional) I/O Impedance: 75Ω (50Ω optional) Return Loss: > 15dB Frequency Range: 120MHz-2250MHz Output IP3: +28dBm Output Signal Level: Manual Gain: -10 to -65dBm (depending on input signal level, gain setting and optical loss) AGC mode: -20dBm	Optical Input: Number of inputs: 1 Connector: Female SC/UPC, ST/UPC, FC/UPC, SC/APC, FC/APC Operating Wavelength: 1270nm-1610nm Max Input Power: +3dBm Optical Sensitivity: -14dBm @ 35dB S/N on a 36MHz carrier Electrical: Voltage: +12V DC Power: 6W EMI/RFI: Complies with FCC Part 15, Class A EU EMC Directive	Physical (number of slots): 350FR: 1 7700FR-C: 1 7800FR: 1
--	---	--

See System Performance Specifications of the chosen companion transmitter for more details.

►Ordering Information

7706LRA	Wideband RF Fiber Receiver
7706LRA-B50	Wideband RF Fiber Receiver, 50Ω BNC connectors
7706LRA-S50	Wideband RF Fiber Receiver, 50Ω SMA connectors

Ordering Options Rear Plate and Fiber Connector must be specified at time of order
Eg. Model +3RU +SC

Connector Suffix	
+SC	SC/UPC
+AP+SC	SC/APC (Angle polished)
+ST	ST/UPC
+FC	FC/UPC
+AP+FC	FC/APC (Angle polished)
+F75	75Ω F-type connectors

Note: 75Ω BNC connectors are standard

Rear Plate Suffix	
+3RU	3RU Rear Plate for use with 350FR, 7700FR-C or 7800FR Multiframe
+1RU	1RU Rear Plate for use with 7701FR Multiframe
+SA	Standalone Enclosure Rear Plate

Enclosures	
350FR	3RU Portable Multiframe which holds up to 7 single slot modules
7700FR-C	3RU Multiframe which holds up to 15 single slot modules
7800FR	3RU Multiframe which holds up to 15 single slot modules
7701FR	1RU Multiframe which holds up to 3 single or dual slot modules
S7701FR	Standalone Enclosure