

## ► Features & Benefits

- Optical to electrical converter for all SMPTE 259M standards with operation from 143Mb/s-360Mb/s
- Supports additional standards of SMPTE 305M (SDTi), SMPTE 310M (19.4Mb/s), SMPTE 344M (540Mb/s), M2S and DVB-ASI (270Mb/s)
- Supports multi-mode or single-mode fiber
- Fully hot-swappable from front of frame with no fiber or BNC disconnect/reconnect required
- Occupies one card slot and can be housed in either a 1RU frame which will hold up to 3 modules, a 3RU frame which will hold up to 15 modules, 3RU portable frame that holds up to 7 modules or a standalone frame which will hold 1 module
- Comprehensive signal and card status monitoring via four digit card edge display

## Input

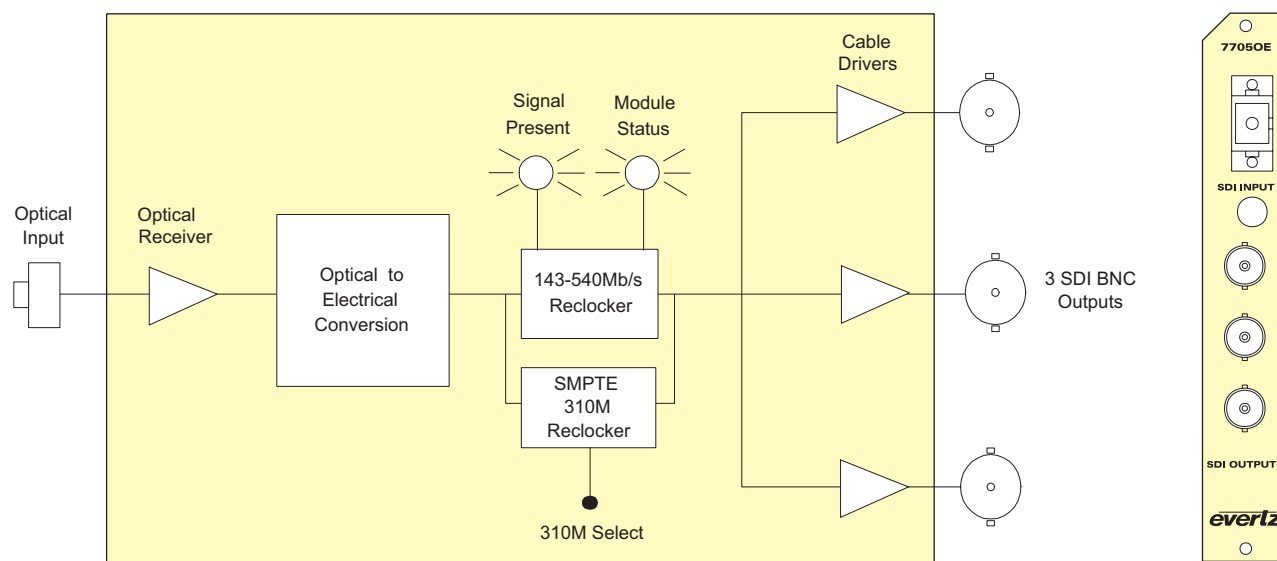
- Optical input range from 1270nm to 1610nm
- Input sensitivity to -30dBm
- SC/PC, ST/PC, FC/PC connector options

## Outputs

- Three serial digital BNC outputs for loop-through or monitoring
- Wideband Jitter < 0.2 UI

## Status LEDs

- Signal presence indication
- Module status indication



## ► Specifications

**Standards:** SMPTE 259M A, B, C, D, SMPTE 297M, SMPTE 305M, SMPTE 310M, SMPTE 344M, M2S, DVB-ASI

### Optical Input:

Number of Inputs: 1  
 Connector: SC/PC, ST/PC, FC/PC Female Housing  
 Operating Wavelength: 1270nm to 1610nm  
 Optical Sensitivity: -30dBm  
 Max. Input Power: 0dBm

### Serial Video Outputs:

Number of Outputs: 3 per card reclocked  
 Connector: 1 BNC per IEC 61169-8 Annex A  
 Signal Level: 800mV nominal  
 DC Offset: 0V ±0.5V  
 Rise and Fall Time: 900ps nominal  
 Overshoot: < 10% of amplitude  
 Return Loss: > 15dB up to 540Mb/s  
 Wideband Jitter: < 0.2 UI

### Electrical:

Voltage: +12V DC  
 Power: 6W  
 EMI/RFI: Complies with FCC Part 15, Class A  
 EU EMC Directive

### Physical (number of slots):

350FR: 1  
 7700FR-C: 1  
 7800FR: 1

### Transmitter Compatibility Chart:

MODEL #	SD-SDI	HD-SDI
2405/7705/7707EO	x	
2405/7705/7707EO-HD	x	
7705/7707EO-3	x	
7705/7707EO-3-HD	x	
7707ADVT	x	
7707ADVT-HD	x	
7707VAT-HD	x	

## ► Ordering Information

**7705OE** SDI Optical to Electrical Converter, 19.4Mb/s or 143-540Mb/s

**Ordering Options** Rear Plate and Fiber Connector must be specified at time of order  
 Eg: Model +SC +3RU

### Rear Plate Suffix

**+3RU** 3RU Rear Plate for use with 350FR, 7700FR-C or 7800FR Multiframe  
**+1RU** 1RU Rear Plate for use with 7701FR Multiframe  
**+SA** Standalone Enclosure Rear Plate

### Connector Suffix

**+SC** SC/PC  
**+ST** ST/PC  
**+FC** FC/PC

### Fiber Optic Patch Cable

See CWDM & DWDM Ordering Information Page

### Enclosures

**350FR** 3RU Portable Multiframe which holds up to 7 single slot modules  
**7700FR-C** 3RU Multiframe which holds up to 15 single slot modules  
**7801FR** 3RU Multiframe which holds up to 15 single slot modules  
**7701FR** 1RU Multiframe which holds up to 4 single or 2 dual slot modules  
**S7701FR** 1RU Multiframe which holds up to 3 single or dual slot modules  
 Standalone Enclosure