

►Features & Benefits

- Triple SDI optical to electrical converter for 3 independent channels
- Provides 45 independent channels of optical conversion, in a single 3RU frame
- Supports all SMPTE 259M standards with operation from 143Mb/s-360Mb/s
- Supports additional standards of SMPTE 305M (SDTi), SMPTE 310M (19.4Mb/s), SMPTE 344M (540Mb/s), M2S and DVB-ASI (270Mb/s)
- Supports multi-mode or single-mode fiber
- Fully hot-swappable from front of frame, with no fiber or BNC disconnect/reconnect required
- Occupies one card slot and can be housed in either a 1RU frame which will hold up to 3 modules, a 3RU frame which will hold up to 15 modules, 3RU portable frame that holds up to 7 modules or a standalone frame which will hold 1 module
- Comprehensive signal and card status monitoring via four digit card edge display

Inputs

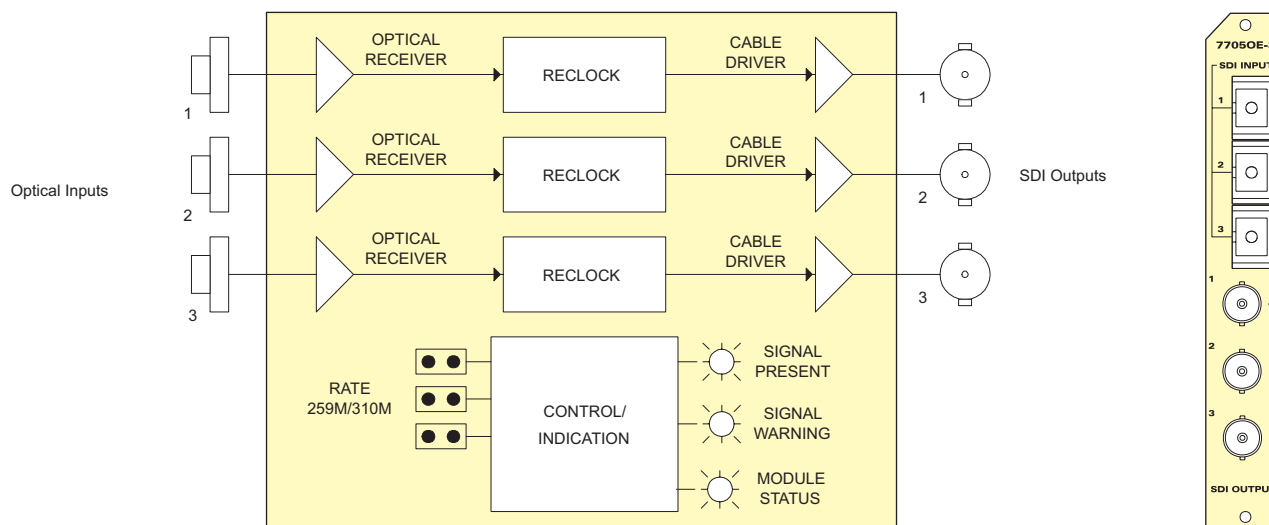
- Three independent fiber inputs
- 1270nm to 1610nm input wavelength range
- Input sensitivity to -30dBm
- SC/PC, ST/PC, FC/PC connector options

Outputs

- Three independent, reclocked, serial digital BNC outputs
- Wideband jitter < 0.2 UI

Status LEDs

- Signal presence indication for each channel
- Input carrier weak indication for each channel
- Module status indication



►Specifications

Standards: SMPTE 259M A, B, C, D, SMPTE 297M, SMPTE 305M, SMPTE 310M, SMPTE344M, M2S, DVB-ASI

Optical Inputs:

Number of Inputs: 3 (independent channels)
 Connector: SC/PC, ST/PC, FC/PC female housing
 Operating Wavelength: 1270nm to 1610nm
 Max. Input Power: 0dBm
 Optical Sensitivity: -30dBm

Serial Video Outputs:

Number of Outputs: 3 reclocked (independent channels)
 Connector: 3 (1 per input channel) reclocked
 Signal Level: 800mV nominal
 DC Offset: 0V ±0.5V
 Rise/Fall Time: 900ps nominal
 Overshoot: < 10% of amplitude
 Return Loss: > 15dB up to 540Mb/s
 Jitter: < 0.2 UI

Electrical:

Voltage: +12V DC
 Power: 6W
 EMI/RFI: Complies with FCC Part 15, Class A
 EU EMC Directive

Physical (number of slots):

350FR: 1
 7700FR-C: 1
 7800FR: 1

Transmitter Compatibility Chart:

MODEL #	SD-SDI/DVB-ASI	HD-SDI
2405/7705/7707EO	x	
2405/7705/7707EO-HD	x	
7705/7707EO-3	x	
7705/7707EO-3-HD	x	
7707ADVT	x	
7707ADVT-HD	x	
7707VAT-HD	x	

►Ordering Information

7705OE-3 Triple SDI Optical to Electrical Converter 19.4Mb/s or 143-540Mb/s

Ordering Options Rear Plate and Fiber Connector must be specified at time of order
 Eg. Model +3RU +SC

Rear Plate Suffix

+3RU 3RU Rear Plate for use with 350FR, 7700FR-C or 7800FR Multiframe
+1RU 1RU Rear Plate for use with 7701FR Multiframe
+SA Standalone Enclosure Rear Plate

Connector Suffix

+SC SC/PC
+ST ST/PC
+FC FC/PC

Accessories

Fiber Optic Patch Cable
 See CWDM & DWDM Ordering Information Page

Enclosures

350FR 3RU Portable Multiframe which holds up to 7 single slot modules
7700FR-C 3RU Multiframe which holds up to 15 single slot modules
7800FR 3RU Multiframe which holds up to 15 single slot modules
7801FR 1RU Multiframe which holds up to 4 single or 2 dual slot modules
7701FR 1RU Multiframe which holds up to 3 single or dual slot modules
S7701FR Standalone Enclosure