

7703BPX-DC-RF

2x1 RF Protection Switch



The 7703BPX-DC-RF is a 2x1 RF protection switch for a wide range of frequencies. It provides automatic changeover functionality to provide bypass protection of RF signals from 10MHz to 2250MHz, and for DC LNB bias.

The 7703BPX-DC-RF has integrated VistaLINK® technology for remote control and monitoring capability via SNMP. This provides the ability to locally or remotely configure and monitor parameters such as module status, selected input, power level and switching threshold.

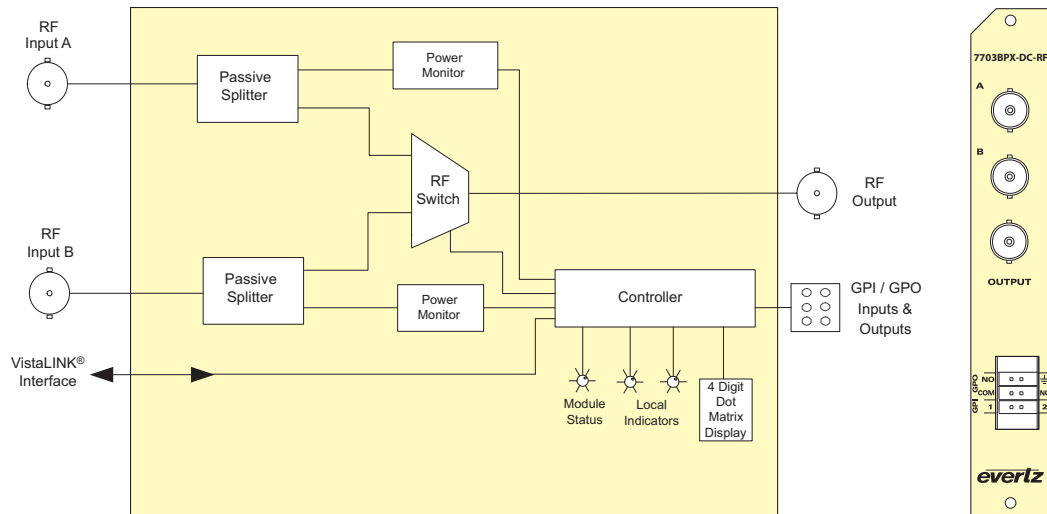
When used for automatic changeover, the 7703BPX-DC-RF has a MAIN input and a STANDBY input. It will automatically switch to the Standby input when the

Main input power is weak or lost. Switch back to the Main input when the signal is re-established, may be configured to happen manually or automatically. The 7703BPX-DC-RF may also be configured to operate manually as a 2:1 switch, which may be controlled locally or remotely via GPI or SNMP.

The 7703BPX-DC-RF/ LB occupies one card slot and can be housed in a 1RU 7801FR frame that will hold up to four modules, a 3RU 7800FR frame that will hold up to 15 modules, a 350FR portable frame, which will hold up to seven modules, or a standalone enclosure that holds one module.

Features & Benefits

- Wide operating frequency range, 10MHz-2250MHz
- Intelligent auto switching with input power detection
- User-definable threshold levels
- Maintains switch state and RF channel on loss of power to card or frame
- Supports automatic or manual control via GPI or SNMP
- Switch state indication via GPO
- Card edge LEDs indicate active input channels, output channel and power levels below threshold
- Passes DC LNB bias and 22KHz tone
- Fully hot-swappable from front of frame
- Comprehensive signal and card status monitoring via four digit card edge display or remotely through SNMP and VistaLINK®
- VistaLINK® capability is available with the 3RU 7800FR or 350FR portable frame and a 7800FC/7801FC/7700FC VistaLINK® Frame Controller module in slot 1 of the frame



Specifications

RF Input/Output: Inputs: 2 Outputs: 1 Connector: 1 BNC per IEC 61169-8 Annex A (F-type and SMA optional)	General Purpose Inputs: Number of Inputs: 2 Type: Opto-isolated, active low with internal pull-ups to +5V Connector: 2 pins plus ground on 6-pin terminal strip Signal Level: +5V Pullup: Low: -5 to +2.5V DC, High: 3.5 to 10V DC +12V Pullup: Low: -5 to +9.5V DC, High: 10.5 to 15V DC Max Sink Current: (input shorted to ground) 15mA Max Leakage Current for input High: 200µA	General Purpose Outputs: Number of Outputs: 1 Type: "Dry Contact" relay contacts - normally open & normally closed contact provided Connector: 3 pins on 6-pin terminal strip Electrical: Voltage: +12V DC Power: 4W Physical (number of slots): 350FR: 1 7700FR-C: 1 7800FR: 1 7801FR: 1
I/O Impedance: 75Ω, 50Ω optional Frequency Response 10MHz- 2250MHz: < ±.75dB Insertion Loss: 10MHz - 2250MHz: < 2dB Return Loss: > 1dB Isolation: > 45dB Input Power Range: 0dBm to -50dBm		

Ordering Information

7703BPX-DC-RF	2x1 RF Protection Switch for L-Band Frequencies, with VistaLINK® Monitoring
7703BPX-DC-RF-B50	2x1 RF Protection Switch for L-Band Frequencies, 50Ω BNC connectors with VistaLINK® Monitoring
7703BPX-DC-RF-S50	2x1 RF Protection Switch for L-Band Frequencies, 50Ω SMA connectors with VistaLINK® Monitoring

Ordering Options Rear Plate and optional connector type must be specified at time of order (Eg: Model +3RU) (if 75Ω F-type connector required, order optional +F75)

Accessories	
7800FC	3RU Multiframe Controller (necessary for 3RU SNMP control)
7801FC	1RU Multiframe Controller (necessary for 1RU SNMP control)

Rear Plate Suffix	
+3RU	3RU Rear Plate for use with 350FR, 7700FR-C or 7800FR Multiframe
+1RU	1RU Rear Plate for use with 7701FR Multiframe
+SA	Standalone Enclosure Rear Plate

Connector Suffix	
+F75	75Ω, F-Type Rear Connector

Enclosures	
350FR	3RU Portable Multiframe which holds up to 7 single slot modules
7700FR-C	3RU Multiframe which holds up to 15 single slot modules
7800FR	3RU Multiframe which holds up to 15 single slot modules
7801FR	1RU Multiframe which holds up to 4 single or 2 dual slot modules
7701FR	1RU Multiframe which holds up to 3 single or dual slot modules
S7701FR	Standalone Enclosure

The Complete Solution Provider

