



The 7700VMDA Reclocking Distribution Amplifier provides inexpensive distribution and composite encoder monitoring of your SMPTE ST 259 (270Mb/s) serial digital video signal. The 7700VMDA features an auto-equalized input with seven outputs that can be selected as either SDI or composite analog. The 7700VMDA-2Q has two channels, each with three selectable outputs, or it can be used as a single input DA with six outputs.

The 7700VMDA and 7700VMDA-2Q occupy one card slot each and can be housed in a 1RU frame that will hold up to four modules, a 3RU frame that will hold up to 15 modules or a standalone enclosure that will hold one module.

### Features & Benefits

- Features independent isolated output drivers to ensure no cross channel loading effects (i.e. no need to terminate unused outputs)
- VistaLINK® -capable offering remote monitoring, control and configuration capabilities via SNMP. VistaLINK® is available when modules are used with the 3RU 7800FR frame and a 7700FC VistaLINK® Frame Controller module in slot 1 of the frame

### Outputs

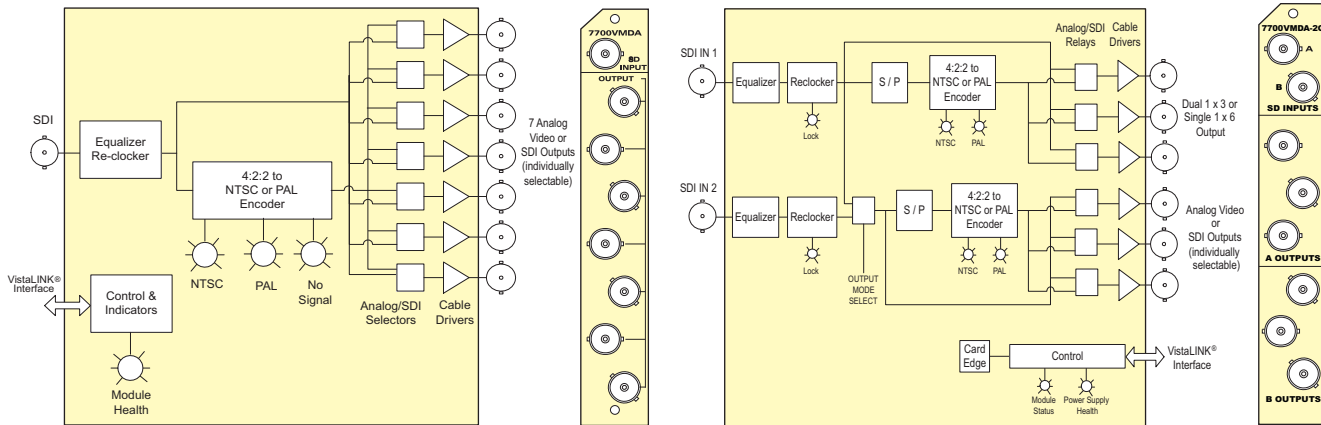
- Selectable reclocked/composite encoder outputs
- Return loss > 15dB up to 540Mb/s
- Wideband jitter < 0.2 UI
- Passes embedded audio to SDI output

### Input

- Supports SMPTE ST 259-C (270Mb/s) video with embedded audio
- Return loss > 15dB up to 540Mb/s
- 300m auto equalization at 270Mb/s (Belden 8281)

### Card Edge LEDs

- Signal presence
- Module Health Status



### Specifications

#### Serial Video Input:

Standard: SMPTE ST 259  
 Connector: BNC per IEC 61169-8 Annex A  
 Equalization: Automatic to 300m @ 270Mb/s with Belden 8281 (or equivalent)  
 Return Loss: > 15dB up to 540Mb/s  
 Embedded Audio: SMPTE ST 272-A

#### Serial Video Output:

Number of Outputs:  
 7700VMDA: Up to 7 (jumper selectable)  
 7700VMDA-2Q: 3 per channel  
 Connector: BNC per IEC 61169-8 Annex A  
 Signal Level: 800mV nominal  
 DC Offset: 0V ±0.5V  
 Rise and Fall Time: 740ps nominal  
 Overshoot: < 10% of amplitude  
 Return Loss: > 15dB up to 540Mb/s  
 Wideband Jitter: < 0.2 UI

#### Analog Video Output:

Number of Outputs:  
 7700VMDA: Up to 7 (jumper selectable)  
 7700VMDA-2Q: 3 per channel  
 Standards: NTSC, SMPTE ST 170 if input is 525i/59.94  
 PAL-B ITU 624-4 if input is 625i/50  
 Connector: BNC per IEC 61169-8 Annex A  
 Signal Level: 1V p-p nominal  
 DC Offset: 0V ±0.1V  
 Return Loss: > 35dB up to 5MHz

#### Physical (number of slots):

350FR: 1  
 7700FR-C: 1  
 7800FR: 1

#### Electrical:

Voltage: +12V DC  
 Power: 6W  
 EMI/RFI: Complies with FCC Part 15, Class A  
 EU EMC Directive

### Ordering Information

<b>7700VMDA</b>	Video Monitoring Reclocking DA, 1 channel, 7 outputs
<b>7700VMDA-2Q</b>	Video Monitoring Reclocking DA, 2 channels, 3 outputs per channel

**Ordering Options** Rear Plate must be specified at time of order (Eg: Model +3RU)

#### Rear Plate Suffix

**+3RU** 3RU Rear Plate for use with 350FR, 7700FR-C or 7800FR Multiframe  
**+SA** Standalone Enclosure Rear Plate

#### Enclosures

**350FR** 3RU Portable Multiframe which holds up to 7 single slot modules  
**7700FR-C** 3RU Multiframe which holds up to 15 single slot modules  
**7800FR** 3RU Multiframe which holds up to 15 single slot modules  
**7801FR** 1RU Multiframe which holds up to 4 single or 2 dual slot modules  
**S7701FR** Standalone Enclosure