



The 7700TPI VistaLINK® module links third-party equipment and Evertz® VistaLINK® Network Management System (NMS). Third-party equipment with fault alarming capabilities via General Purpose Outputs (GPO), serial RS-232/RS-422/485 connection, or Ethernet can communicate fault alarm conditions to the VistaLINK® application software through the 7700TPI to SNMP translator, thereby extending fault monitoring capabilities across the broadcast network.

The 7700TPI comes equipped with 4 RS-232/RS-422/485 serial ports and 1, 10/100Mb Ethernet port. These ports can also be utilized to communicate and provide remote control to third-party equipment.

The 7700TPI module is also equipped with 8 General Purpose Outputs (GPO) and can be utilized to relay a state level from the VistaLINK® system to connected gear. Configuration changes or additional fault alarming are also possible through

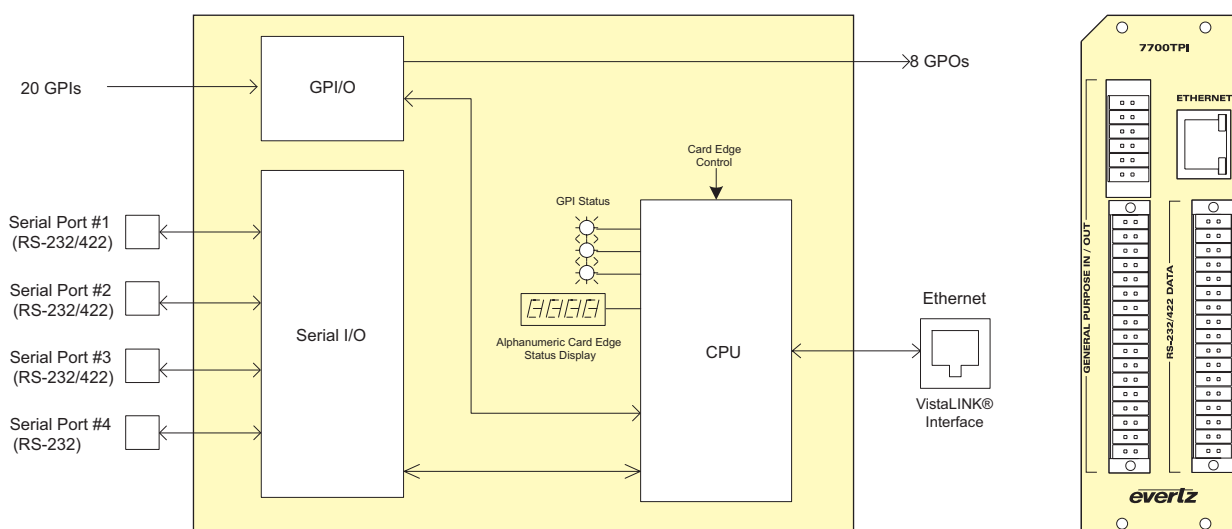
this interface.

The 7700TPI module fits conveniently into Evertz® universally installed 7800FR frame and provides a cost-effective and space-efficient third-party interface (TPI) solution.

VistaLINK® offers remote monitoring, control and configuration capabilities via Simple Network Management Protocol (SNMP) giving the flexibility to manage operations, including signal monitoring and module configuration from SNMP -capable control systems (Manager or NMS).

►Features & Benefits

- 20 opto-isolated General Purpose Inputs (GPI)
- Enabled GPI alerts translated and reported to Network Management System (NMS) user interface via SNMP
- Selectable +5V or +12V supply for driving GPI over longer cable runs
- 8 relay closure General Purpose Outputs (GPO)
- 4 serial ports RS-232/RS-422 selectable
- GPI/GPO/Serial connections easily accessed through pin-headers (Phoenix Terminal Blocks) on rear plate
- Modular, conveniently fits into 7800FR 3RU frame
- Module status LED and simple GPI input diagnostics
- Frame status trigger
- VistaLINK® -capable for remote monitoring and control via SNMP (using VistaLINK® PRO) when installed in 7800FR or 350FR frame "FC built-in"



►Specifications

General Purpose Inputs:

Number of Inputs: 20
 Type: Opto-isolated, active low with jumper selectable +5V or +12V supplied voltage
 Connector: Phoenix Terminal Block
 Signal Level: Jumper selectable +5V or +12V

General Purpose Outputs:

Number of Outputs: 8
 Type: "Dry Contact" relay closure
 Connector: 2 pins per output on Phoenix Terminal Block
 Signal Level: Normally Closed and Normally Open

Data Input Serial Port:

Number of Ports: 4 RS-232 or 3 RS-422
 Connector: Phoenix Terminal Block pins
 Baud Rate: User selectable, up to 115,200bps

Electrical:

Voltage: +12V DC
 Power: < 6W
 Safety: ETL Listed, complies with EU safety directives
 EMI/RFI: Complies with FCC Part 15, Class A EU EMC Directive

Physical (number of slots):

350FR: 2
 7700FR-C: 2
 7800FR: 2

►Ordering Information

7700TPI VistaLINK® Third Party Interface
7700TPI-TRI2CD1 Emergency Alert System Trilithic to CODI Protocol Translator

Ordering Options Rear Plate must be specified at time of order
 Eg: Model +3RU

Rear Plate Suffix +3RU

3RU Rear Plate for use with 350FR, 7700FR-C or 7800FR Multiframe

Enclosures

350FR 3RU Portable Multiframe which holds up to 7 single slot modules
7700FR-C 3RU Multiframe which holds up to 15 single slot modules
7800FR 3RU Multiframe which holds up to 15 single slot modules
7801FR 1RU Multiframe which holds up to 4 single or 2 dual slot modules