

# 7700R4x1-HD

## HD/SD-SDI 4x1 Modular Router



The 7700R4x1-HD provides a convenient, low cost way to route high definition and standard definition serial digital signals. The 7700R4x1 can be used for 1.5Gb/s, 270Mb/s, 360Mb/s, 540Mb/s and DVB-ASI and 143Mb/s serial digital signals.

The module can also be used for SMPTE ST 310-1 (19.4Mb/s) signals with the internal reclocker turned off. The 7700R4x1-HD features auto-equalized inputs with two re-clocked outputs. The 7700R4x1-HD is housed in the Evertz® 7800FR Multiframe which is available in a 3RU or a 1RU version.

### Features & Benefits

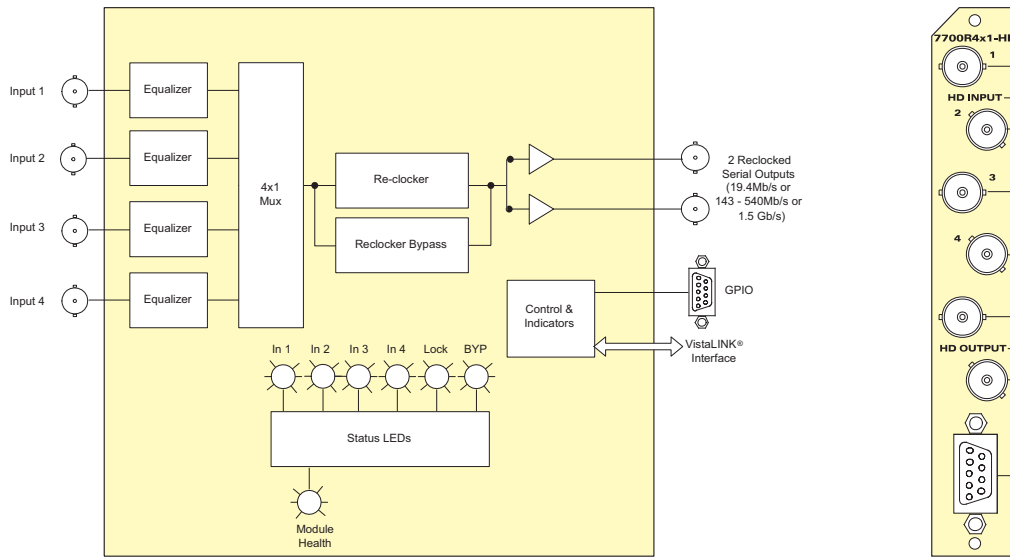
- Hot-swappable, front-loading modular 4x1 routing
- Full support for ST 292-1 (1.5Gb/s), SMPTE ST 259-1 (270, 360, 143Mb/s) and SMPTE ST 344-1 (540Mb/s)
- DVB-ASI compatible with all outputs maintaining polarity from input to output
- Non-reclocking mode for SMPTE 310M (19.4Mb/s)
- Features independent isolated outputs to ensure no cross-channel loading effects (no need to terminate unused outputs)
- VistaLINK® capable for remote monitoring, control and configuration capabilities via SNMP; using VistaLINK® PRO, CP-2116E or CP-2232E Control Panels. VistaLINK® is available when modules are used with the 3RU 7800FR frame and a 7700FC VistaLINK® Frame Controller module in slot 1 of the frame
- LEDs for signal presence and module health

### Input

- ST 292-1 (1.5Gb/s), SMPTE ST 259-1 (270Mb/s, 360Mb/s, 143Mb/s), SMPTE ST 344-1 (540Mb/s) and DVB-ASI
- SMPTE ST 310-1 (19.4Mb/s) - non-reclocking mode
- Return Loss > 15dB up to 1.5Gb/s
- Automatic cable equalization up to 100m at 1.5Gb/s

### Output

- 2 re-clocked outputs
- Return loss > 15dB up to 1.5Gb/s
- Wideband jitter < 0.2 UI



### Specifications

#### Serial Video Input:

Standard: SMPTE ST 292-1, SMPTE ST 259-1, SMPTE ST 344-1, DVB-ASI  
 In Non-Reclock Mode: SMPTE ST 310-1  
 Number of Inputs: 4  
 Connector: 1 BNC per IEC 61169-8 Annex A  
 Equalization: Automatic to 100m @ 1.5Gb/s with Belden 1694A (or equivalent)  
 Return Loss: > 15dB to 1.5Gb/s  
 Wideband jitter: < 0.2 UI

In Non-Reclock Mode: SMPTE ST 310-1  
 Signal Level: 800mV nominal  
 DC Offset: 0V ±0.5V  
 Rise and Fall Time: 200ps nominal  
 Overshoot: < 10% of amplitude  
 Return Loss: > 15dB to 1.5Gb/s  
 Wideband jitter: < 0.2 UI

#### Physical (number of slots):

350FR: 1  
 7700FR-C: 1  
 7800FR: 1

#### Electrical:

Voltage: +12V DC  
 Power: 5W  
 EMI/RFI: Complies with FCC Part 15, Class A EU EMC Directive

#### General Purpose Inputs/Outputs:

Number of Inputs: 4  
 Number of Outputs: 4  
 Type: Opto-isolated, active low or high  
 GPI: Internal pull-ups to +5 or +12V (jumper settable)  
 GPO: Internal pull-ups to +3.3V  
 Connector: Female High Density DB-15  
 Signal Level: Closure to ground

### Ordering Information

**7700R4x1-HD** HD/SD-SDI 4x1 Modular Router

**Ordering Options** Rear Plate must be specified at time of order (Eg. Model +3RU)

**Rear Plate Suffix +3RU** 3RU Rear Plate for use with 350FR, 7700FR-C or 7800FR Multiframe

**+SA** Standalone Enclosure Rear Plate

#### Accessories

**7700FC**  
**CP-2116E-H**  
**CP-2232E**

VistaLINK® Frame Controller  
 Remote Control Panel  
 Remote Control Panel

#### Enclosures

**350FR**  
**7700FR-C**  
**7800FR**  
**7801FR**  
**S7701FR**

3RU Portable Multiframe which holds up to 7 single slot modules  
 3RU Multiframe which holds up to 15 single slot modules  
 3RU Multiframe which holds up to 15 single slot modules  
 1RU Multiframe which holds up to 4 single or 2 dual slot modules  
 Standalone Enclosure