



The 7700PTX Universal Protocol Translator module provides the ability for Evertz® VistaLINK® and MVP® software to interface directly to third party UMD devices and routers.

The 7700PTX communicates with the router and UMD protocols either via one of four serial ports or using a built in Ethernet port. All ports - both serial and Ethernet - are bi-directional allowing the device complete flexibility for communication.

UMD/Tally System/General Purpose Protocol Support:

7700PTX-MVP Interfaces to Image Video / TSL / GPIs and provides a UMD/tally interface to MVP/VIP/VIP-X
Interfaces with Andromeda (ASCII Plus)

7700PTX-AP
7700PTX-MT8 Interface to Standard Communication MT830 Rec'r
7700PTX-MT9 Interface to Standard Communication MT930B Rec'r
7700PTX-ANC Interfaces to ANC stat server using XML and provide a UMD interface to MVP/VIP/VIP-X

Router Protocol Support:

7700PTX-QUTZ Interfaces with Quartz routers (Quartz protocol)
7700PTX-VMSI Interfaces with Jupiter control systems (ex. ASCII, VM3000, CM4000)

7700PTX-RCL Interfaces with GVG Routers using RCL protocol

7700PTX-RCP
7700PTX-NV

7700PTX-PESA
7700PTX-XY

7700PTX-10XL
7700PTX-D28
7700PTX-D20
7700PTX-PB

Switcher/Vision Mixer Protocol Support:

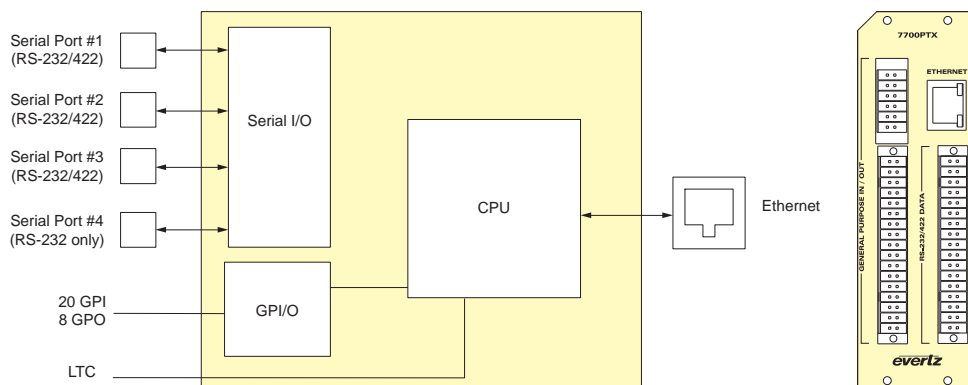
7700PTX-CTP Interfaces with Switchers supporting Contribution Tally Protocol (ex. Ross, Kalypso, Zodiac)
Interfaces with Switchers supporting Automation Control System Protocol (ex. Kayak)

7700PTX-MVS Interfaces with Sony MVS/DVS9000 series switchers
7700PTX-STB Infrared Set Top Box Controller
7700PTX-STP Interfaces with remaining Sony DVS series switchers
7700PTX-SX Interfaces with Miranda Press Station to obtain triggers

Note: For individual specs and other protocols not listed here please contact the factory.

►Features & Benefits

- Four serial ports RS-232/RS-422 selectable
- GPI/GPO easily accessed through pin-headers (2x6 Phoenix Terminal Blocks) on rear plate
- Modular, conveniently fits into 7800FR 3RU frame
- Module status LED and 20 GPI LEDs for simple GPI input diagnostics only for PTX-MVP)
- Frame status trigger
- VistaLINK® -capable for remote monitoring and control via SNMP (using VistaLINK® PRO) "FC built-in"



►Specifications

Data Input Serial Port:	Electrical:	Physical (number of slots):
Number of Ports: 4 RS-232 or 3 RS-422	Voltage: +12V DC	350FR: 2
Connector: Phoenix Terminal Block pins	Power: < 6W	7700FR-C: 2
Baud Rate: Up to 1Mbaud	EMI/RFI: Complies with FCC Part 15, Class A EU EMC Directive	7800FR: 2

►Ordering Information

7700PTX-MVP	Interfaces to Image Video / TSL / GPIs and provides a UMD/tally interface to MVP/VIP/VIP-X
7700PTX-AP	Interfaces with Andromeda (ASCII Plus)
7700PTX-MT8	Interface to Standard Communication MT830 Rec'r
7700PTX-MT9	Interface to Standard Communication MT930B Rec'r
7700PTX-ANC	Interfaces to ANC stat server using XML and provide a UMD interface to MVP/VIP/VIP-X
7700PTX-QUTZ	Interfaces with Quartz routers (Quartz protocol)
7700PTX-VMSI	Interfaces with Jupiter control systems (ex. ASCII, VM3000, CM4000)
7700PTX-RCL	Interfaces with GVG Routers using RCL protocol
7700PTX-RCP	Interfaces to Utah devices using RCP-3 protocol
7700PTX-NV	Interfaces with NVISION Routers using NVISION protocol support (ex. NV SP, NV9000)
7700PTX-PESA	Interfaces with PESA routers (CPU LINK NO1)
7700PTX-XY	Interfaces with Leitch integrator routers using XY protocol
7700PTX-10XL	Interfaces with 10XL-based routers
7700PTX-D28	Interfaces with Datatek Routers using D-2800 protocol
7700PTX-D20	Interfaces with Datatek Routers using D-2000 protocol
7700PTX-PB	Interfaces with Pro-Bel routers (supports SW-P-04 (UMD) & SW-P-06)
7700PTX-CTP	Interfaces with Switchers supporting Contribution Tally Protocol (ex. Ross, Kalypso, Zodiac)

7700PTX-ACOS	Interfaces with Switchers supporting Automation Control System Protocol (ex. Kayak)
7700PTX-MVS	Interfaces with Sony MVS /DVS9000 series switchers
7700PTX-STB	Infrared Set Top Box Controller
7700PTX-STP	Interfaces with remaining Sony DVS series switchers
7700PTX-SX	Interfaces with Miranda Press Station to obtain triggers

Note: For other protocols not listed here please contact the factory.

Ordering Options	Rear Plate must be specified at time of order (Eg. Model +3RU)
Rear Plate Suffix +3RU	3RU Rear Plate for use with 350FR, 7700FR-C or 7800FR Multiframe
+SA	Standalone Enclosure Rear Plate

Enclosures	
350FR	3RU Portable Multiframe which holds up to 7 single slot modules
7700FR-C	3RU Multiframe which holds up to 15 single slot modules
7800FR	3RU Multiframe which holds up to 15 single slot modules
7801FR	1RU Multiframe which holds up to 4 single or 2 dual slot modules
S7701FR	Standalone Enclosure