

# 7700DA7

## 143-540Mb/s & DVB-ASI Reclocking, SMPTE 310M Non-reclocking Distribution Amplifier



The 7700 series Distribution Amplifier provides inexpensive distribution of your serial digital video signal at rates of 19.4Mb/s and 143Mb/s to 540Mb/s. The 7700DA7 features an auto-equalized input with seven reclocked outputs.

The 7700DA7 occupies one card slot and can be housed in a 1RU frame that will hold up to four modules, a 3RU frame that will hold up to 15 modules, a 350FR portable frame, which will hold up to seven modules, or a standalone enclosure that will hold one module.

It has been designed for use as a SMPTE 310M (19.4Mb/s), DVB-ASI, M2S or SMPTE ST 259 distribution product. SMPTE 310M support is selected by setting a rate select jumper.

### Features & Benefits

- Supports up to 540Mb/s operation
- DVB-ASI compatible
- Non-reclocking mode for SMPTE 310M
- Features independent isolated output drivers to ensure no cross channel loading effects (i.e. no need to terminate unused outputs)
- VistaLINK® capable for remote monitoring, control and configuration capabilities via SNMP; using VistaLINK® PRO, CP-2116E or CP-2232E Control Panels. VistaLINK® is available when modules are used with the 3RU 7800FR frame and a 7700FC VistaLINK® Frame Controller module in slot 1 of the frame
- Bypass relay protection with +BPRP option

### Input

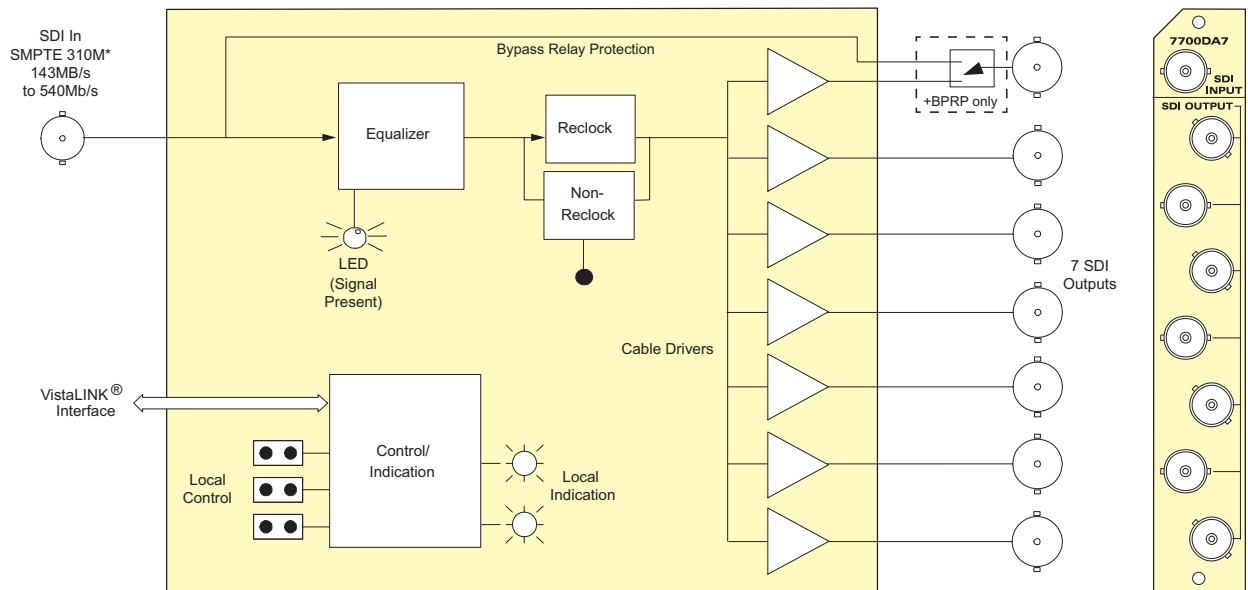
- SMPTE ST 259 (143Mb/s to 540Mb/s), DVB-ASI, M2S, SMPTE 310M (19.4Mb/s) - Non-reclocking mode
- Return loss > 15dB up to 540Mb/s
- 300m auto equalization at 270Mb/s (Belden 8281)
- 210m auto equalization at 540Mb/s (Belden 8281)

### Outputs

- Seven reclocked outputs
- Return loss > 15dB up to 540Mb/s
- Wideband jitter < 0.2 UI

### Card Edge LEDs

- Signal presence
- Module Health Status



\*Note: Non-Reclocking Mode will operate 19.4Mb/s to 540Mb/s

### Specifications

| Serial Video Input: |   | Serial Video Output: |                             | Physical (number of slots): |   |
|---------------------|---|----------------------|-----------------------------|-----------------------------|---|
| Standard:           | SMPTE ST 259 A, B, C, D, DVB-ASI, M2S, SMPTE 310M (19.4Mb/s -jumper selected) | Number of Outputs:   | 7                           | 350FR:                      | 1   |
| Connector:          | BNC per IEC 61169-8 Annex A   | Connector:           | BNC per IEC 61169-8 Annex A | 7700FR-C:                   | 1   |
| Equalization:       | Automatic to 300m @ 270Mb/s with Belden 8281 (or equivalent)                  | Signal Level:        | 800mV nominal               | 7800FR:                     | 1   |
| Return Loss:        | > 15dB up to 540Mb/s  | DC Offset:           | 0V ±0.5V                    | <b>Electrical:</b>          |   |
|                     |   | Rise and Fall Time:  | 740ps nominal               | Voltage:                    | +12V DC   |
|                     |   | Overshoot:           | < 10% of amplitude          | Power:                      | 6W  |
|                     |   | Return Loss:         | > 15dB up to 540Mb/s        | EMI/RFI:                    | Complies with FCC Part 15, Class A EU EMC Directive |
|                     |   | Wideband Jitter:     | < 0.2 UI                    |                             |   |

### Ordering Information

| Model                    | Description  | Accessories  | Enclosures   |
|--------------------------|--|--|--|
| 7700DA7                  | 143-540Mb/s & DVB-ASI Reclocking, SMPTE 310M Non-reclocking Distribution Amplifier | 7700FC VistaLINK® Frame Controller<br>CP-2116E-H Remote Control Panel<br>CP-2232E Remote Control Panel | 350FR 3RU Portable Multiframe which holds up to 7 single slot modules<br>7700FR-C 3RU Multiframe which holds up to 15 single slot modules<br>7800FR 3RU Multiframe which holds up to 15 single slot modules<br>7801FR 1RU Multiframe which holds up to 4 single or 2 dual slot modules<br>S7701FR Standalone Enclosure |
| <b>Ordering Options</b>  | Rear Plate must be specified at time of order (Eg: Model +3RU)                     |  |  |
| <b>+BPRP</b>             | Bypass relay protection for output 1   |  |  |
| <b>Rear Plate Suffix</b> |  |  |  |
| <b>+3RU</b>              | 3RU Rear Plate for use with 350FR, 7700FR-C or 7800FR Multiframe                   |  |  |
| <b>+SA</b>               | Standalone Enclosure Rear Plate  |  |  |

The Complete Solution Provider

