

7700DA7-3G

3G/HD/SD-SDI Reclocking Distribution Amplifier



The 7700DA7-3G reclocking distribution amplifiers provide inexpensive distribution of your SMPTE ST 424, ST 292-1 and SMPTE ST 259-1 serial digital video signals at rates of 3Gb/s, 1.5Gb/s and 270Mb/s. The DA supports all other all other SMPTE ST 344-1, SMPTE ST 259-1, SMPTE ST310-1 and DVB-ASI data rates in a non-reclocked mode (540Mb/s, 360Mb/s, 143Mb/s, and 19.4 Mb/s).

Ideal in applications where a large quantity of outputs is required, the DA features an auto-equalized input with seven isolated reclocked outputs.

The 7700DA7-3G occupies one card slot and can be housed in a 1RU frame that will hold up to four modules, a 3RU frame that will hold up to 15 modules, a 350FR portable frame, which will hold up to seven modules, or a standalone enclosure that will hold one module.

Features & Benefits

- Normal reclocked mode for SMPTE ST 424 (3Gb/s), SMPTE ST 292-1 (1.5Gb/s) and SMPTE ST 259-1 (270Mb/s)
- Remote selectable non-reclocked mode for all other SMPTE ST 344-1, SMPTE ST 259-1, SMPTE ST 310-1 and DVB-ASI data rates
- Fully hot-swappable from front of frame with no BNC disconnect required
- Tally output on Frame Status bus upon loss of input signal for quality monitoring
- VistaLINK[®] capable for remote monitoring, control and configuration capabilities via SNMP; using VistaLINK[®] PRO, CP-2116E or CP-2232E Control Panels. VistaLINK[®] is available when modules are used with the 3RU 7800FR frame and a 7700FC VistaLINK[®] Frame Controller module in slot 1 of the frame

Input

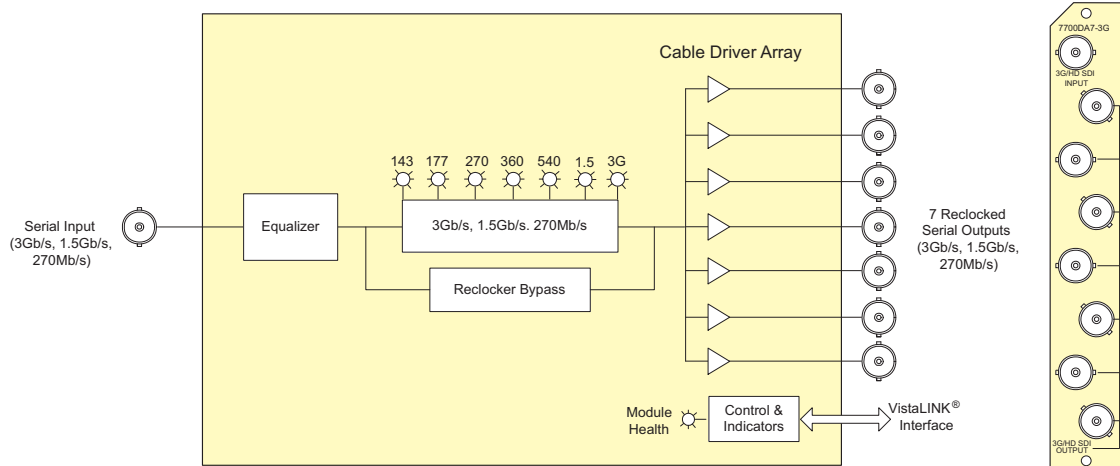
- SMPTE ST 424 (3Gb/s), SMPTE ST 292-1 (1.5Gb/s), SMPTE ST 259-1 (270Mb/s) when reclocking
- SMPTE ST 344-1 (540Mb/s), SMPTE ST 259-1 (360Mb/s, 143Mb/s), SMPTE ST 310-1 when not reclocking
- Return Loss > 15dB to 1.5GHz and > 10dB up to 3GHz
- Auto equalization to 80m at 3Gb/s, 150m @ 1.5Gb/s and 350m @ 270Mb/s

Output

- 7 reclocked outputs
- Wideband jitter < 0.2 UI HD
- Wideband jitter < 0.3 UI 3G

Status LEDs

- Detected Signal Rate LEDs
- Control Mode LED
- Module Health Status



Specifications

Serial Video Input:

Standards:
 Reclocked Mode: SMPTE ST 424 (3Gb/s)
 SMPTE ST 292-1 (1.5Gb/s)
 SMPTE ST 259-1 (270Mb/s)
 Non Reclocked Mode:
 SMPTE ST 344-1 (540Mb/s)
 SMPTE ST 259-1 (360Mb/s, 143Mb/s)
 SMPTE ST 310-1 (19.4Mb/s), DVB-ASI
 Connector: BNC per IEC 61169-8 Annex A
 Equalization: Automatic to 80m @ 3Gb/s, 150m @ 1.5Gb/s & 350m @ 270Mb/s
 Return Loss: > 15dB up to 1.5GHz
 > 10dB up to 3GHz

Serial Video Output:

Number of Outputs: 7 Reclocked
 Connector: BNC per IEC 61169-8 Annex A
 DC Offset: 0V ± 0.5V
 Rise and Fall Time:
 3G/HD: 150ps
 SD: 470ps nominal
 Wideband Jitter: < 0.2 UI HD
 < 0.3 UI 3G

Electrical:

Voltage: +12V DC
 Power: 5W
 EMI/RFI: Complies with FCC Part 15, Class A
 EU EMC Directive

Physical (number of slots):

350FR: 1
 7700FR-C: 1
 7800FR: 1

Ordering Information

7700DA7-3G 3G/HD/SD-SDI Reclocking Distribution Amplifier

Ordering Options Rear Plate and Fiber Connector must be specified at time of order (Eg: Model +SC +3RU)

Rear Plate Suffix
+3RU 3RU Rear Plate for use with 350FR, 7700FR-C or 7800FR Multiframe
+SA Standalone Enclosure Rear Plate

Accessories

7700FC
CP-2116E-H
CP-2232E

VistaLINK[®] Frame Controller
 Remote Control Panel
 Remote Control Panel

Enclosures

350FR
7700FR-C
7800FR
7801FR
S7701FR

3RU Portable Multiframe which holds up to 7 single slot modules
 3RU Multiframe which holds up to 15 single slot modules
 3RU Multiframe which holds up to 15 single slot modules
 1RU Multiframe which holds up to 4 single or 2 dual slot modules
 Standalone enclosure