



The 7700DA6-L is an inexpensive 1x6 SD-SDI Distribution Amplifier with passive loop thru which allows for cascading of multiple DA cards. It amplifies serial digital video signal at rates of 19.4Mb/s and 143Mb/s to 540Mb/s.

The 7700DA6-L occupies one card slot and can be housed in a 1RU frame that will hold up to four modules, a 3RU frame that will hold up to 15 modules, a 350FR portable frame, which will hold up to seven modules, or a standalone enclosure that will hold one module.

The 7700DA6-L features an auto-equalized input with six reclocked outputs. The 7700DA6-L has been designed for use as a SMPTE 310M (19.4Mb/s), DVB-ASI, M2S or SMPTE ST 259 distribution product. SMPTE 310M support is selected by setting a rate select jumper.

►Features & Benefits

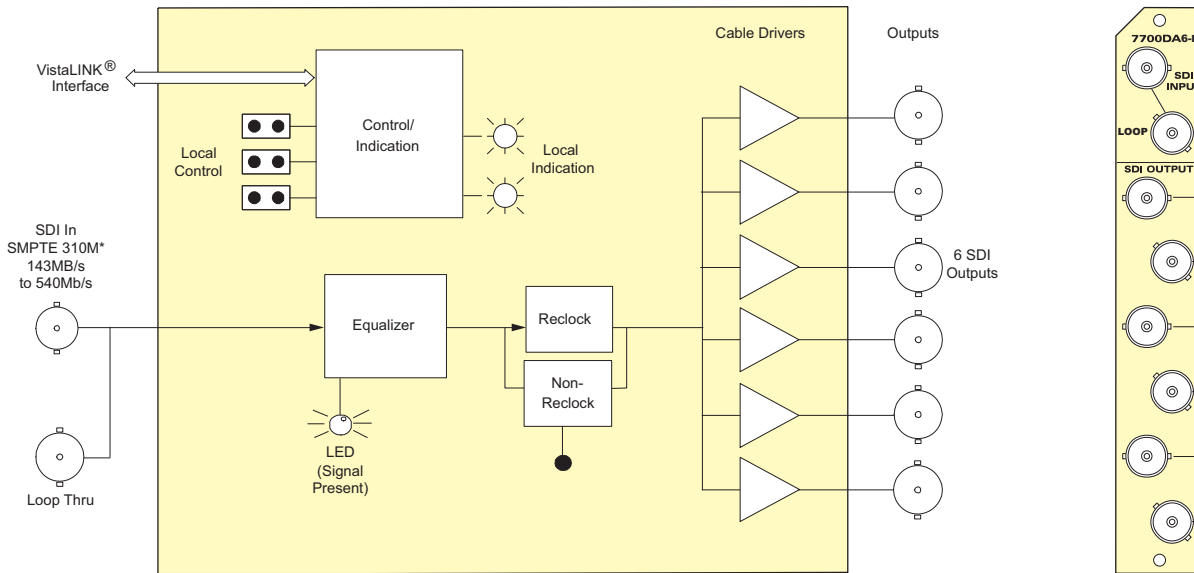
- Supports up to 540Mb/s operation
- DVB-ASI compatible
- Non reclocking mode for SMPTE 310M
- Features independent isolated output drivers to ensure no cross channel loading effects (i.e. no need to terminate unused outputs)
- VistaLINK® capable for remote monitoring, control and configuration capabilities via SNMP; using VistaLINK® PRO, CP-2116E or CP-2232E Control Panels. VistaLINK® is available when modules are used with the 3RU 7800FR frame and a 7700FC VistaLINK® Frame Controller module in slot 1 of the frame
- Return loss > 15dB up to 540Mb/s
- 250m auto eq. at 270Mb/s (Belden 8281)

Outputs

- Six reclocked outputs
- One passive looping output
- Return loss > 15dB up to 540Mb/s
- Wideband jitter < 0.2 UI

Card Edge LEDs

- Signal presence
- Module Health Status



*Note: Non-Reclocking Mode will operate 19.4Mb/s to 540Mb/s

►Specifications

Serial Video Input:		Serial Video Output:		Physical (number of slots):	
Standard:	SMPTE ST 259 A, B, C, D, DVB-ASI, M2S, SMPTE 310M (19.4Mb/s jumper selected)	Reclocked Outputs:	6	350FR:	1
Connector:	BNC per IEC 61169-8 Annex A	Passive Looping Outputs:	1	7700FR-C:	1
Equalization:	Automatic to 250m @ 270Mb/s with Belden 8281 (or equivalent)	Connector:	BNC per IEC 61169-8 Annex A	7800FR:	1
Return Loss:	> 15dB up to 540Mb/s	Signal Level:	800mV nominal	Electrical:	
		DC Offset:	0V ± 0.5V	Voltage:	+12V DC
		Rise and Fall Time:	740ps nominal	Power:	6W
		Overshoot:	<10% of amplitude	EMI/RFI:	Complies with FCC Part 15, Class A EU EMC Directive
		Return Loss:	>15dB up to 540Mb/s		
		Wideband Jitter:	<0.2 UI		

►Ordering Information

7700DA6-L	SD-SDI Reclocking Distribution Amplifier with Loop Thru	Accessories	
Ordering Options	Rear plate must be specified at time of order (Eg: Model +3RU)	7700FC	VistaLINK® Frame Controller
Rear Plate Suffix		CP-2116E-H	Remote Control Panel
+3RU	3RU Rear Plate for use with 350FR, 7700FR-C or 7800FR Multiframe	CP-2232E	Remote Control Panel
+SA	Standalone Enclosure Rear Plate	Enclosures	
		350FR	3RU Portable Multiframe which holds up to 7 single slot modules
		7700FR-C	3RU Multiframe which holds up to 15 single slot modules
		7800FR	3RU Multiframe which holds up to 15 single slot modules
		7801FR	1RU Multiframe which holds up to 4 single or 2 dual slot modules
		S7701FR	Standalone enclosure