

7700DA6-HD-L

HD/SD-SDI Reclocking Distribution Amplifier with Loop Thru



The 7700HD series Distribution Amplifiers provide reliable distribution of your 1.5 GB/s HDTV and 270 Mb/s Standard Definition serial digital signals. The 7700DA6-HD-L features one auto-equalized input with passive loop thru which allows for cascading of multiple DA cards.

The 7700DA6-HD-L features an auto-equalized input with six reclocked outputs. The DA has been designed to relock at 1.5 GB/s and 270Mb/s. In

non-reclocking mode, it can be used as a SMPTE ST 310-1 or SMPTE ST 259-1/292-1 distribution product.

The 7700DA6-HD-L occupies one card slot and can be housed in a 1RU frame that will hold up to four modules, a 3RU frame that will hold up to 15 modules, a 350FR portable frame that will hold up to seven modules or a standalone enclosure that will hold one module.

Features & Benefits

- Reclocking mode for SMPTE ST 292-1 (1.5Gb/s), SMPTE ST 259-1 (270Mb/s)
- DVB-ASI or HD/SD auto sensing
- Non-reclocking mode for SMPTE ST 310-1 (also SMPTE ST 259-1, SMPTE ST 292-1)
- VistaLINK® capable for remote monitoring, control and configuration capabilities via SNMP; using VistaLINK® PRO, CP-2116E or CP-2232E Control Panels. VistaLINK® is available when modules are used with the 3RU 7800FR frame and a 7700FC VistaLINK® Frame Controller module in slot 1 of the frame.

Input

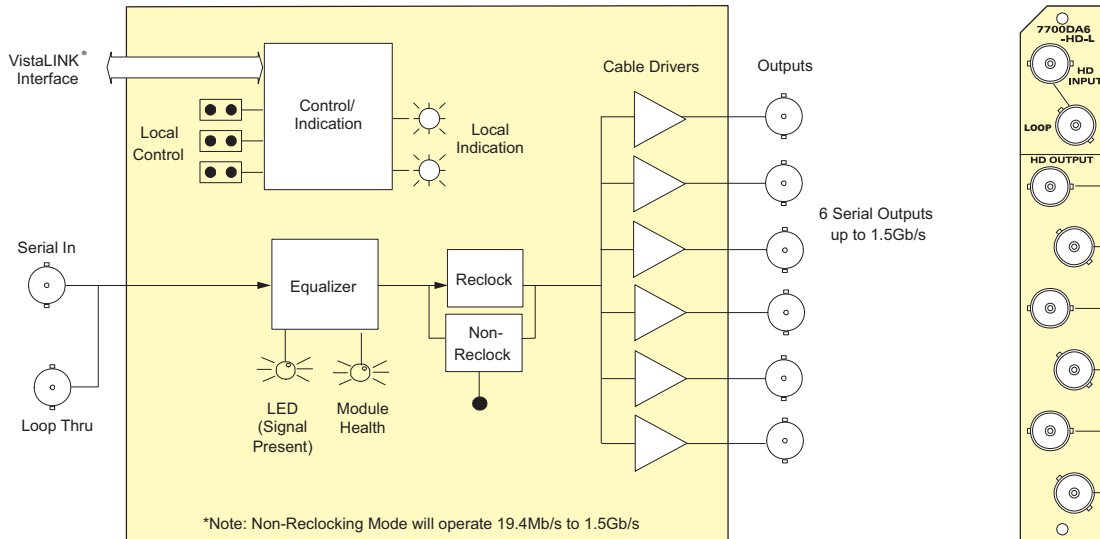
- ST 292-1 (1.5Gb/s) Reclocking mode
- SMPTE ST 259-1 (270Mb/s) DVB-ASI - Reclocking mode
- SMPTE ST 310-1 - Non-reclocking mode

Output

- Six reclocked outputs
- One passive looping output
- Wideband jitter < 0.2 UI

Status LEDs

- Signal presence
- Module Health Status



Specifications

| | | | | | |
|----------------------------|--|------------------------------|--|------------------------------------|---|
| Serial Video Input: | Standard: SMPTE ST 292-1, SMPTE ST 259M-1 DVB-ASI or M2S | Serial Video Outputs: | Number of Outputs: 6 per card | Physical (number of slots): | 350FR: 1 |
| | Non-Reclock Mode: SMPTE ST 310-1 (also SMPTE ST 259-1, SMPTE ST 292-1) | | Passive Loop Outputs: 1 | | 7700FR-C: 1 |
| | Connector: 1 BNC per IEC 61169-8 Annex A | | Standard: SMPTE ST 292-1, SMPTE ST 259M-1 M2S, DVB-ASI | | 7800FR: 1 |
| | Equalization: Automatic to 20m @ 1.5Gb/s with Belden 1694A (or equivalent) | | Non-Reclock Mode: SMPTE ST 310-1 (also SMPTE ST 259-1, SMPTE ST 292-1) | Electrical: | Voltage: +12V DC |
| | Return Loss: > 15dB to 1.5Gb/s | | Signal Level: 800mV nominal | | Power: 5W |
| | | | DC Offset: 0V ±0.5V | | EMI/RFI: Complies with FCC Part 15 Class A EU EMC Directive |
| | | | Rise and Fall Time: 200ps nominal | | |
| | | | Overshoot: < 10% of amplitude | | |
| | | | Return Loss: > 15dB to 1.5Gb/s | | |
| | | | Wideband Jitter: < 0.2 UI | | |

Ordering Information

7700DA6-HD-L HD/SD-SDI Reclocking Distribution Amplifier with Loop Thru

Note: Due to the use of a passive loop through, the 7700DA6-HD-L is only recommended for applications with short input cable lengths. Care should be taken when designing a system using passive loop through modules. The length of loop through connections should be minimized and kept to cards within the same or adjacent frame. The specified cable length is further reduced with each successive loop through.

- Ordering Options** Rear Plate must be specified at time of order (Eg. Model +3RU)
- Rear Plate Suffix**
- +3RU 3RU Rear Plate for use with 350FR, 7700FR-C or 7800FR Multiframe
 - +SA Standalone Enclosure Rear Plate

- Accessories**
- 7700FC VistaLINK® Frame Controller
 - CP-2116E-H Remote Control Panel
 - CP-2232E Remote Control Panel

- Enclosures:**
- 350FR 3RU Portable Multiframe which holds up to 7 single slot modules
 - 7700FR-C 3RU Multiframe which holds up to 15 single slot modules
 - 7800FR 3RU Multiframe which holds up to 15 single slot modules
 - 7801FR 1RU Multiframe which holds up to 4 single or 2 dual slot modules
 - S7701FR Standalone Enclosure