



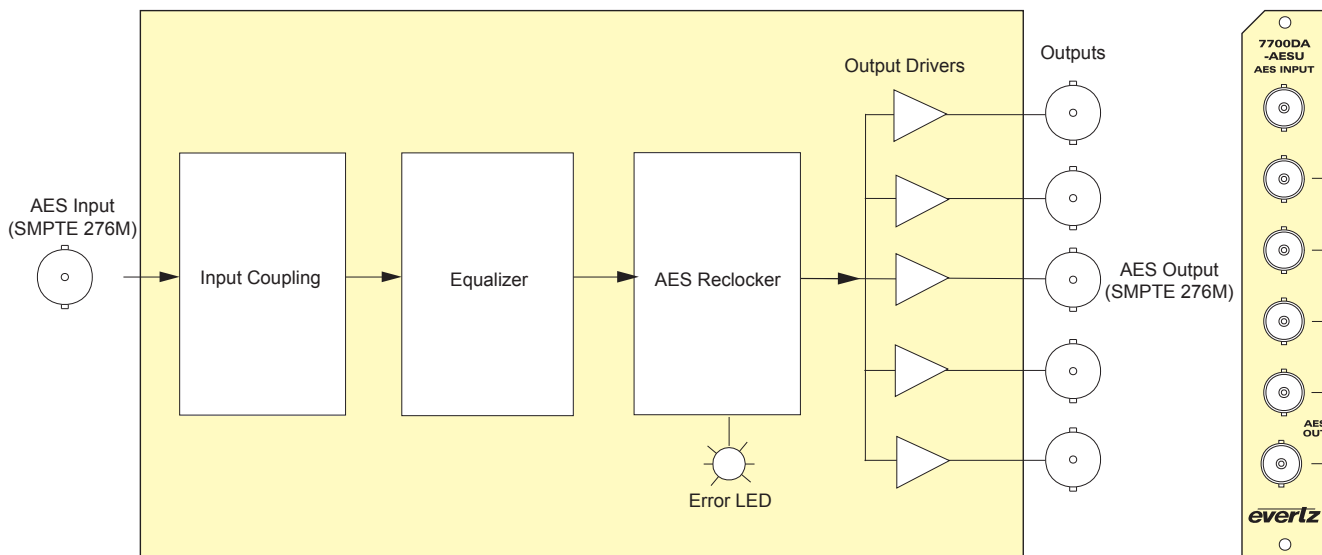
The 7700DA-AESU is a five output reclocking and auto equalizing DA for 75Ω unbalanced AES signals. The DA will automatically equalize AES signals on Belden 1694A coax to 1500m. The DA will reclock data with sampling frequencies of 32 kHz, 44.1 kHz, 48 kHz and 96 kHz.

The 7700DA-AESU occupies one card slot and can be housed in a 1RU frame that will hold up to four modules, a 3RU frame that will hold up to 15 modules, a 350FR portable frame, which will hold up to seven modules, or a standalone enclosure that will hold one module.

The 7700DA-AESU card edge LED indicators provide quick and accurate assessment of the incoming signal integrity. The 7700DA-AESU also provides a contact closure output that can be configured using on-board jumpers to assert when an input error condition exists.

### ►Features & Benefits

- SMPTE 276M standard for AES audio on 75Ω coax
- Transformer coupled 75Ω unbalanced input (selectable Hi-Z)
- Data reclocking provides jitter reduction
- Automatic equalization
- EQ and reclock provide extended cable length compensation (> 1500m)
- Five 75Ω coax outputs
- Error LED indication for input PLL out of lock, parity error or biphas coding error
- External indication of input error condition using contact closure output



### ►Specifications

<b>AES Input:</b>	SMPTE 276M	<b>AES Output:</b>	5 per card reclocked	<b>Electrical:</b>	
Standard:	1	Number of Outputs:	BNC per IEC 61169-8 Annex A	Voltage:	+12V DC
Number of Inputs:	1V p-p	Connector:	75Ω	Power:	1.2W
Connector:	Transformer	Output Level:	> 25dB 100kHz to 6MHz	EMI/RFI:	Complies with FCC Part 15, Class A
Input Level:	75Ω (Selectable Hi-Z)	Output Impedance:			EU EMC Directive
Coupling:	> 25dB at 100kHz to 6MHz	Return Loss:		<b>Physical (number of slots):</b>	
Input Impedance:	Automatic to 1500m with Belden			350FR:	1
Return Loss:	1694A (or equivalent) @ 48kHz AES			7700FR-C:	1
Equalization:	signal			7800FR:	1
Sampling Frequency:	32kHz, 44.1kHz, 48kHz and 96kHz				

### ►Ordering Information

<b>7700DA-AESU</b>	Auto Equalizing Unbalanced AES/EBU Distribution Amplifier (1X5)	<b>Enclosures</b>	
<b>Ordering Options</b>	Rear Plate must be specified at time of order (Eg: Model +3RU)	<b>350FR</b>	3RU Portable Multiframe which holds up to 7 single slot modules
<b>Rear Plate Suffix</b>		<b>7700FR-C</b>	3RU Multiframe which holds up to 15 single slot modules
<b>+3RU</b>	3RU Rear Plate for use with 350FR, 7700FR-C or 7800FR Multiframe	<b>7800FR</b>	3RU Multiframe which holds up to 15 single slot modules
<b>+SA</b>	Standalone Enclosure Rear Plate	<b>7801FR</b>	1RU Multiframe which holds up to 4 single or 2 dual slot modules
		<b>S7701FR</b>	Standalone enclosure