

# 7700DA-AESB

## Auto Equalizing Balanced AES/EBU Distribution Amplifier

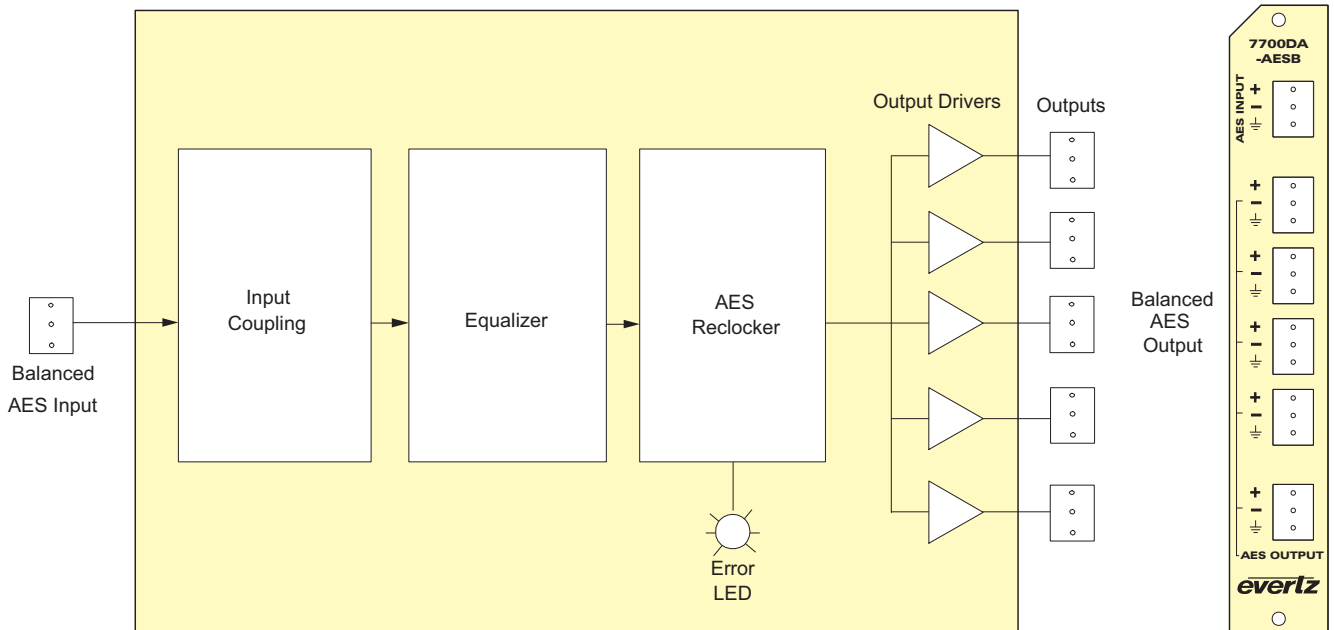
The 7700DA-AESB is a five output DA with auto equalizing input and reclocking for 110Ω balanced AES signals. The DA will automatically equalize AES signals on Belden 1800B cable when the drive signal is 7V p-p. The DA will reclock data with sampling frequencies of 32kHz, 44.1kHz, 48kHz and 96kHz.

The 7700DA-AESB occupies one card slot and can be housed in a 1RU frame that will hold up to four modules, a 3RU frame that will hold up to 15 modules, a 350FR portable frame, which will hold up to seven modules, or a standalone enclosure that will hold one module.

The 7700DA-AESB card edge LED indicators provide quick and accurate assessment of the incoming signal integrity. The 7700DA-AESB also provides a contact closure output that can be configured using on-board jumpers to assert when an input error condition exists.

### ► Features & Benefits

- AES3-1992 standard for AES audio on 110Ω twisted pair cable
- Transformer coupled 110Ω balanced input (selectable Hi-Z)
- Data reclocking provides jitter reduction
- Automatic equalization
- EQ and reclock provide extended cable length compensation
- Five 110Ω balanced outputs
- Error LED indication for input PLL out of lock, parity error or biphas coding error
- External indication of input error condition using contact closure output



### ► Specifications

<b>AES Input:</b>		<b>AES Output:</b>		<b>Electrical:</b>	
Standard:	AES3-1992	Number of Outputs:	5 per card Reclocked	Voltage:	+12V DC
Connector:	3-pin removable terminal strip	Connector:	3-pin removable terminal strip	Power:	1.8W
Number of inputs:	1	Output Level:	5V p-p	EMI/RFI:	Complies with FCC Part 15, Class A
Input Level:	2 to 7V p-p	Output Impedance:	110Ω		EU EMC Directive
Coupling:	Transformer	Return Loss:	30dB 100kHz to 6MHz	<b>Physical (number of slots):</b>	
Input Impedance:	110Ω (selectable Hi-Z)			350FR:	1
Return Loss:	> 14dB 100kHz to 6MHz			7700FR-C:	1
Equalization:	Automatic to 300m with Belden 1800B (or equivalent) @ 48kHz AES signal			7800FR:	1
Sampling Frequency:	32kHz, 44.1kHz, 48kHz and 96kHz				

### ► Ordering Information

**7700DA-AESB** Auto Equalizing Balanced AES/EBU Distribution Amplifier

**Ordering Options** Rear Plate must be specified at time of order (Eg: Model +3RU)

**Rear Plate Suffix**  
**+3RU** 3RU Rear Plate for use with 350FR, 7700FR-C or 7800FR Multiframe  
**+SA** Standalone Enclosure Rear Plate

**Enclosures**  
**350FR** 3RU Portable Multiframe which holds up to 7 single slot modules  
**7700FR-C** 3RU Multiframe which holds up to 15 single slot modules  
**7800FR** 3RU Multiframe which holds up to 15 single slot modules  
**7801FR** 1RU Multiframe which holds up to 4 single or 2 dual slot modules  
**S7701FR** Standalone Enclosure

3RU Portable Multiframe which holds up to 7 single slot modules  
 3RU Multiframe which holds up to 15 single slot modules  
 3RU Multiframe which holds up to 15 single slot modules  
 1RU Multiframe which holds up to 4 single or 2 dual slot modules  
 Standalone Enclosure