

## Auto Equalizing Balanced AES/EBU Distribution Amplifier Over CAT5 Cable

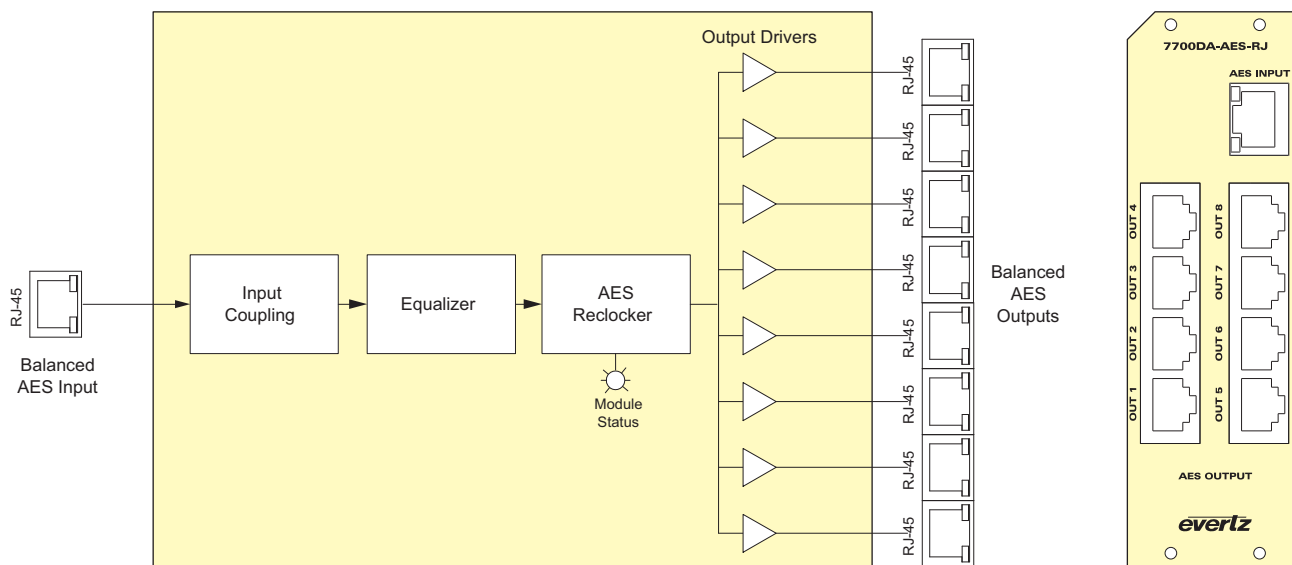
The 7700DA-AES-RJ is an eight-output distribution amplifier with auto equalizing inputs and reclocking for 110Ω balanced AES signals. The DA will automatically equalize a single balanced AES signal delivered over standard CAT 5 type cables with RJ-45 head connector. The DA will reclock the data with sampling frequencies of 32kHz, 44.1kHz, 48kHz and 96kHz.

The 7700DA-AES-RJ modules occupies one card slot and can be housed in a 1RU frame that will hold up to two modules, a 3RU frame that will hold up to 15 modules, a 350FR portable frame, which will hold up to seven modules, or a standalone enclosure that will hold one module.

The 7700DA-AES-RJ modules are equipped with card edge LED indicators that are used to provide quick and accurate assessment of the incoming signal integrity.

### ► Features & Benefits

- AES3-1992 standard for AES audio on 110Ω twisted pair cable
- Transformer coupled 110Ω balanced input (selectable Hi-Z)
- Data reclocking provides jitter reduction
- Automatic equalization
- Equalization and reclocking provides extended cable length compensation
- 8 - 110Ω balanced outputs
- Error LED indication for input PLL out of lock, parity error or biphas coding error



### ► Specifications

<b>AES Input:</b>		<b>AES Outputs:</b>		<b>Physical (number of slots):</b>	
Standard:	AES3-1992	Number of Outputs:	8 reclocked	350FR:	2
Number of Inputs:	1	Connector:	RJ-45	7700FR-C:	2
Connector:	RJ-45	Output Level:	5V p-p	7800FR:	2
Input Level:	2 to 7V p-p	Output Impedance:	110Ω		
Coupling:	Transformer				
Input Impedance:	110Ω	<b>Electrical:</b>			
Equalization:	Automatic to 300m with CAT5 (or equivalent) @ 48kHz AES signal	Voltage:	+12V DC		
Sampling Frequency:	32kHz, 44.1kHz, 48kHz, and 96kHz	Safety:	TüV listed, complies with EU low voltage directive		
		Power:	< 1.8W		
		EMI/RFI:	Complies with FCC Part 15, Class A		
			EU EMC Directive		

### ► Ordering Information

<b>7700DA-AES-RJ</b>	Auto Equalizing Balanced AES/EBU Distribution Amplifier Over CAT5 Cable	<b>Enclosures</b>	
<b>Ordering Options</b>	Rear plate must be specified at time of order (Eg: Model +3RU)	<b>350FR</b>	3RU Portable Multiframe which holds up to 7 single slot modules
<b>Rear Plate Suffix</b>		<b>7700FR-C</b>	3RU Multiframe which holds up to 15 single slot modules
<b>+3RU</b>	3RU Rear Plate for use with 350FR, 7700FR-C or 7800FR Multiframe	<b>7800FR</b>	3RU Multiframe which holds up to 15 single slot modules
<b>+SA</b>	Standalone Enclosure Rear Plate	<b>7801FR</b>	1RU Multiframe which holds up to 4 single or 2 dual slot modules
		<b>S7701FR</b>	Standalone enclosure