

7700ADA7

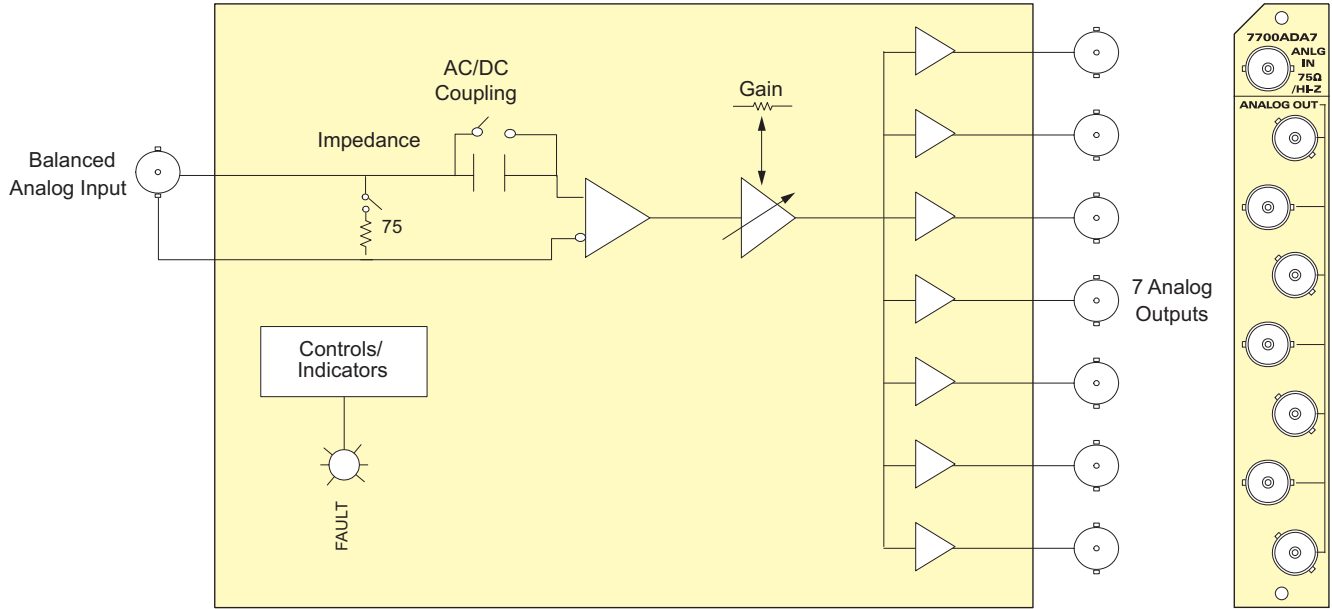
Analog Video Distribution Amplifier

The 7700ADA7 Analog Distribution Amplifier is a general-purpose amplifier for distributing analog video signals. The 7700ADA7 features one balanced input with seven outputs. The 7700ADA7 amplifier has been designed to distribute a wide range of analog video signals. It can also distribute other pulses and signals that are less than 2V p-p.

The 7700ADA7 occupies one card slot and can be housed in a 1RU frame that will hold up to four modules, a 3RU frame that will hold up to 15 modules, a 350FR portable frame, which will hold up to seven modules, or a standalone enclosure that will hold one module.

Features & Benefits

- 75Ω or high impedance input (jumper selectable)
- High common mode range and common mode rejection ratio (CMRR)
- Gain control
- Jumper selectable AC or DC coupling
- Looping feature with external "T" connector
- Consistent input impedance if card power is lost



Specifications

Analog Video Input:

Standards: Any analog video format, up to 2V p-p and 30MHz bandwidth
 Connector: BNC per IEC 61169-8 Annex A
 Common mode range: > 6V p-p
 CMRR: > 70dB to 1kHz
 Signal amplitude: 2.5V p-p max
 Impedance: 75Ω terminated, 35kΩ Hi-Z (jumper selectable)
 Coupling: AC or DC (jumper selectable)
 Return loss: > 40dB to 10MHz, > 30dB to 30MHz

Analog Video Outputs:

Number of Outputs: 7 per card
 Connector: BNC per IEC 61169-8 Annex A
 Output impedance: 75Ω
 Gain control range: ±5dB
 DC level (DC Coupling active): < ±100mV
 Freq. Response: < ±0.05dB (to 5.5MHz)
 Differential Gain: < 0.17%
 Differential Phase: < 0.19°
 C/L gain inequality: < ±0.1%
 C/L Delay: < ±2ns
 Output isolation: 42dB to 10MHz, 32dB to 30MHz
 Output return loss: > 40dB to 30MHz
 Noise performance: < -78dB RMS NTC7 weighting, < -70dB RMS 15kHz to 5.5MHz

Electrical:

Voltage: +12V DC
 Power: 4.6W
 EMI/RFI: Complies with FCC Part 15, Class A, EU EMC Directive

Physical (number of slots):

350FR: 1
 7700FR-C: 1
 7800FR: 1

Ordering Information

7700ADA7 Analog Video Distribution Amplifier (1x7)

Ordering Options Rear Plate must be specified at time of order (Eg: Model +3RU)

Rear Plate Suffix
 +3RU 3RU Rear Plate for use with 350FR, 7700FR-C or 7800FR Multiframe
 +SA Standalone Enclosure Rear Plate

Enclosures

350FR 3RU Portable Multiframe which holds up to 7 single slot modules
7700FR-C 3RU Multiframe which holds up to 15 single slot modules
7800FR 3RU Multiframe which holds up to 15 single slot modules
7801FR 1RU Multiframe which holds up to 4 single or 2 dual slot modules
S7701FR Standalone Enclosure