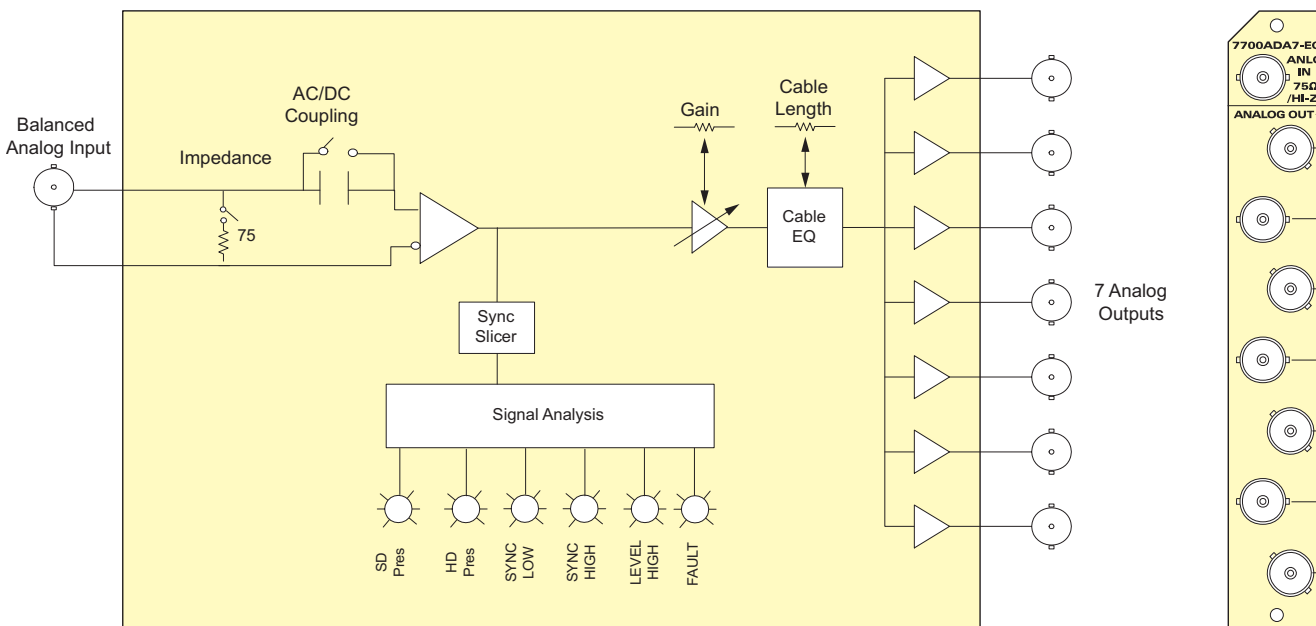


The 7700ADA7-EQ Equalizing Analog Distribution Amplifier is a general purpose amplifier for distributing analog video signals. The 7700ADA7-EQ features one balanced equalized input with seven outputs. It has been designed to distribute a wide range of analog video signals. It can also distribute other pulses and signals that are less than 2V p-p.

The 7700ADA7-EQ occupies one card slot and can be housed in a 1RU frame which will hold up to four modules, a 3RU frame which will hold up to 15 modules, a 350FR portable frame, which will hold up to seven modules, or a standalone enclosure that will hold one module.

Features & Benefits

- 75Ω or high impedance input (jumper selectable)
- High common mode range and common mode rejection ratio (CMRR)
- Gain control
- Jumper selectable AC or DC coupling
- Cable equalizer adjustment range: 0 to 300m of 8281 or 1694A
- Looping feature with external "T" connector and external termination
- Consistent input impedance if card power is lost



Specifications

Analog Video Input:		Analog Video Outputs:		Output isolation:	
Standards:	Any analog video format, up to 2V p-p and 30 MHz bandwidth	Number of Outputs:	7	> 42 dB to 10 MHz,	> 32 dB to 30 MHz
Connector:	BNC input per IEC 61169-8 Annex A	Connector:	BNC per IEC 61169-8 Annex A	Output return loss:	> 40 dB to 30 MHz
Common mode range:	> 6V p-p	Output impedance:	75Ω	Noise performance:	< -78 dB RMS NTC7 weighting
CMRR:	> 70 dB to 1 kHz	Gain control range:	±5 dB		< -70 dB RMS 15 kHz to 5.5 MHz
Signal amplitude:	2.5V p-p max	DC level:	< ±100 mV (with DC Coupling active)	Electrical:	
Cable equalizer:	0 to 300m of Belden 8281 or 1694A cable	Freq. Response:	< ±0.05 dB no equalization (to 5.5 MHz)	Voltage:	+12V DC
Impedance:	75Ω terminated, 35kΩ Hi-Z (jumper selectable)		< ±0.09 dB for 5 to 100m Belden 8281 or 1694A (to 5.5 MHz)	Power:	5W
Coupling:	AC or DC (jumper selectable)		< ±0.15dB for 100 to 300m Belden 8281 or 1694A (to 5.5 MHz)	Physical (number of slots):	
Return loss:	> 40 dB to 10 MHz, > 30 dB to 30 MHz	Differential Gain:	< 0.17% 0 to 300m	350FR:	1
		Differential Phase:	< 0.19° 0 to 300m	7700FR-C:	1
		C/L gain inequality:	< ±0.1% for all cable lengths	7800FR:	1
		C/L Delay:	< ±2ns		

Ordering Information

7700ADA7-EQ	Equalizing Analog Video Distribution Amplifier (1x7)	Enclosures	
Ordering Options	Rear Plate must be specified at time of order (Eg: Model +3RU)	350FR	3RU Portable Multiframe which holds up to 7 single slot modules
Rear Plate Suffix		7700FR-C	3RU Multiframe which holds up to 15 single slot modules
+3RU	3RU Rear Plate for use with 350FR, 7700FR-C or 7800FR Multiframe	7800FR	3RU Multiframe which holds up to 15 single slot modules
+SA	Standalone Enclosure Rear Plate	7801FR	1RU Multiframe which holds up to 4 single or 2 dual slot modules
		S7701FR	Standalone enclosure