

7700ADA-ETSI

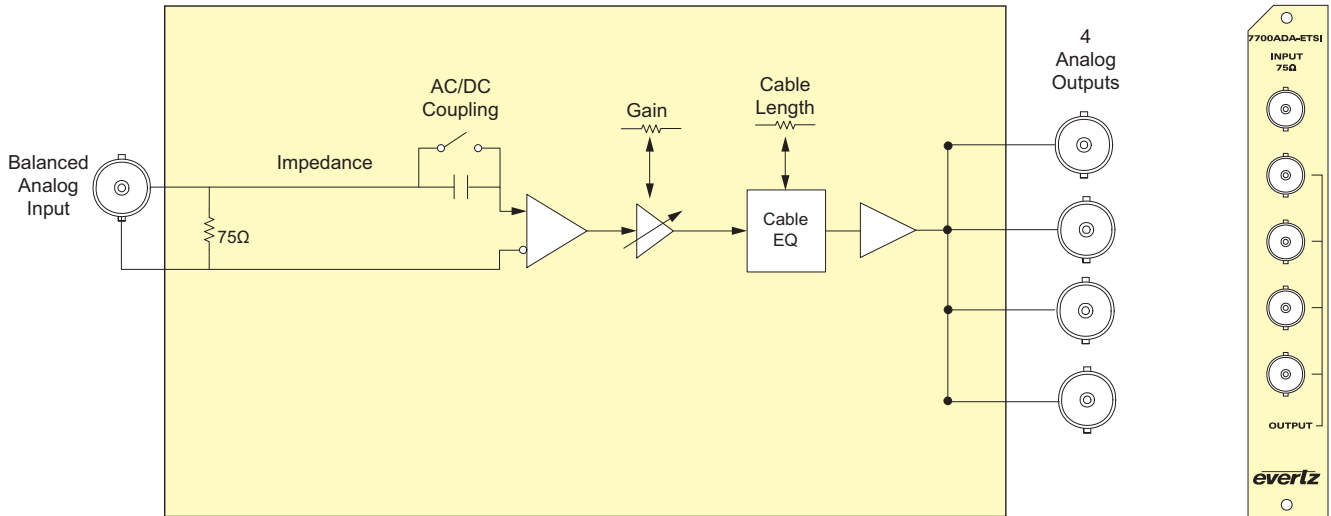
High Amplitude Distribution Amplifier (1x4)

The 7700ADA-ETSI High Amplitude Distribution Amplifier is a general purpose amplifier with an equalizing function for distributing a wide range of digital and analog signals. It has been designed to distribute pulses and signals up to

$\pm 3.5V$ ITU-T G.703 E12 (Physical/electrical characteristics of hierarchical digital interface at 2048kb/s) signals. The 7700ADA-ETSI features one balanced equalized input with four outputs.

► Features & Benefits

- 75 Ω input impedance
- Distribute signals up to $\pm 3.5V$ to 30MHz
- High common mode range and common mode rejection ratio (CMRR)
- $\pm 5.5dB$ Gain control range
- Jumper selectable AC or DC coupling
- Cable equalizer adjustment range: 0 to 300m of Belden 8281 or 1694A
- Consistent input impedance if card power is lost



► Specifications

Inputs:		Outputs:		Electrical:	
Standards:	Any analog waveform up to $\pm 3.5V$ and 30MHz bandwidth	Number of Outputs:	4 Per Card	Voltage:	+12V DC
Connector:	1 BNC per IEC 61169-8 Annex A	Connector:	BNC per IEC 61169-8 Annex A	Power:	2.5W
Common mode range:	> 6V p-p	Output impedance:	75 Ω	Physical (number of slots):	
CMRR:	> 60dB to 1kHz	Gain control range:	$\pm 6dB$	350FR:	1
Signal amplitude:	Up to $\pm 3.5V$	Gain control range:	< $\pm 0.05dB$ no equalization (to 5.5MHz)	7700FR-C:	1
Cable equalizer:	0 to 300m of Belden 8281 or 1694A cable	Freq. Response:	< $\pm 0.09dB$ for 5 to 100m Belden 8281 or 1694A (to 5.5MHz)	7800FR:	1
Impedance:	75 Ω	Differential Gain:	< $\pm 0.15dB$ for 100 to 300m Belden 8281 or 1694A (to 5.5MHz)		
Coupling:	AC or DC (jumper selectable)	Differential Phase:	< 0.25% 0 to 300m (for single load)		
Return loss:	> 40dB to 10MHz, > 25dB to 30MHz	C/L gain inequality:	< 0.19° 0 to 300m		
		C/L delay:	< +/- 0.1% for all cable lengths		
		C/L Delay:	< +/- 2ns		
		Output isolation:	> 42dB to 10MHz,		
			> 32dB to 30MHz		
		Output return loss:	> 40dB to 30MHz		
		Noise performance:	< -68dB RMS NTC7 weighting,		
			< -60dB RMS 15kHz to 5.5MHz		

► Ordering Information

7700ADA-ETSI	High Amplitude Analog Distribution Amplifier (1x4)
Ordering Options	Rear Plate must be specified at time of order (Eg: Model +3RU)
Rear Plate Suffix	
+3RU	3RU Rear Plate for use with 350FR, 7700FR-C or 7800FR Multiframe
+SA	Standalone Enclosure Rear Plate

Enclosures	
350FR	3RU Portable Multiframe which holds up to 7 single slot modules
7700FR-C	3RU Multiframe which holds up to 15 single slot modules
7800FR	3RU Multiframe which holds up to 15 single slot modules
7801FR	1RU Multiframe which holds up to 4 single or 2 dual slot modules
S7701FR	Standalone Enclosure

The Complete Solution Provider

