

# 7700ADA-AUD

## Balanced Analog Audio Distribution Amplifier

The 7700ADA-AUD Dual Analog Audio Distribution Amplifier is a general-purpose amplifier for distributing analog audio signals. It can be operated as two independent 4-output amplifiers for stereo signals, or as a single amplifier with eight outputs where higher fanout is required.

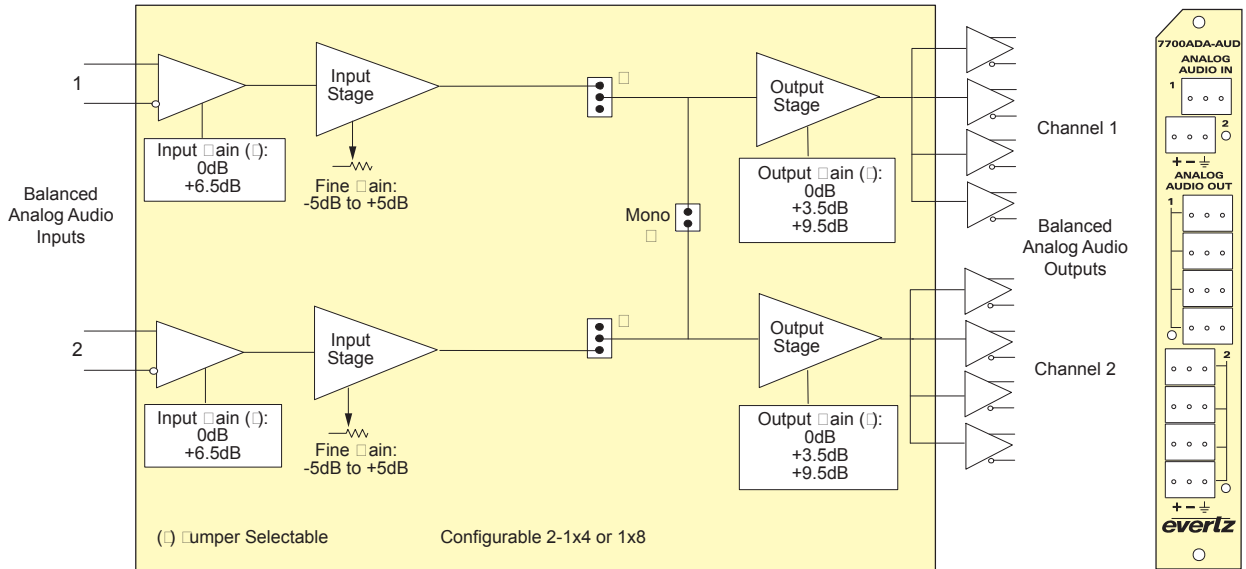
The 7700ADA-AUD can be operated with either differential or single ended inputs and offers a wide range of gain adjustment to handle a wide variety of input signals.

### Features & Benefits

- Differential and single ended input (automatic single ended to differential conversion)
- Configurable for stereo (2-1x4) or mono (1x8)
- High impedance input
- Low impedance outputs
- Wide gain adjustment range
- High common mode range and common mode rejection ratio (CMRR)
- Very high SNR
- Very low THD+N

### Card Edge LEDs

- Module status/Local fault



### Specifications

|  |  |   |
|--|--|---|
| <b>Analog Audio Input:</b><br>Standards: Any analog audio signal<br>Number of inputs: 2 (Balanced or Single ended)<br>Connectors: 3-pin removable terminal strips<br>Input step gain: 0dB or +6.5dB (configurable with jumpers)<br>Fine gain control: -6.5dB to +9.5dB (card edge pot adjustable)<br>Max input level:<br>0dB input gain: +34dBu<br>+6.5dB input gain: +28dBu<br>Noise floor: -87dBu (0dB input gain), -91dBu (+6.5dB input gain jumper setup)<br>Common mode rejection:<br>> 115dB @ 60Hz, 90dB @ 20kHz (tested with +28dBu CM input)<br>Common mode range:<br>0dB input gain: > ±22V<br>+6.5dB input gain: > ±7V<br>Input impedance:<br>0dB gain: 33kΩ<br>+6.5dB gain: 18kΩ | <b>Analog Audio Outputs:</b><br>Number of Outputs:<br>Stereo Mode: 4 outputs each on left and right channels<br>Mono Mode: 8 outputs<br>Connectors: 3-pin removable terminal strips<br>Output step gain: 0, 3.5 or 9.5dB (configurable with jumpers)<br>Max output level: +28dBu across hi-impedance load<br>+24dBm into 600Ω load<br>Output impedance: 66Ω<br>Frequency Response: ±0.02dB 20Hz to 20kHz<br>Stereo phase mismatch: < 1° @ 20kHz<br>SNR:<br>0dB input gain: 115dB<br>+6.5dB input gain: 119dB<br>THD+ Noise: 0.001% 20Hz to 20kHz @ 28dBu, unweighted RMS, Hi-Z load<br>0.01% with 600Ω up to 24dBm<br>Intermodulation Distortion:<br>0.001% - SMPTE @ 18dBu<br>Stereo crosstalk: > 115dB @ 1kHz, > 93dB @ 20kHz<br>Output Isolation: > 110dB @ 1kHz, 100dB @ 20kHz | <b>Electrical:</b><br>Voltage: +12V DC<br>Power: 12W<br>EMI/RFI: Complies with FCC Part 15, Class A, EU EMC Directive<br><b>Physical (number of slots):</b><br>350FR: 1<br>7700FR-C: 1<br>7800FR: 1 |
|--|--|---|

### Ordering Information

|                    |  |
|--------------------|--|
| <b>7700ADA-AUD</b> | Balanced Analog Audio Distribution Amplifier (Configurable 1x8 or 2-1x4) |
|--------------------|--|

**Ordering Options** Rear Plate must be specified at time of order (Eg: Model +3RU)

**Rear Plate Suffix**  
**+3RU** 3RU Rear Plate for use with 350FR, 7700FR-C or 7800FR Multiframe  
**+SA** Standalone Enclosure Rear Plate

**Enclosures**  
**350FR** 3RU Portable Multiframe which holds up to 7 single slot modules  
**7700FR-C** 3RU Multiframe which holds up to 15 single slot modules  
**7800FR** 3RU Multiframe which holds up to 15 single slot modules  
**7801FR** 1RU Multiframe which holds up to 4 single or 2 dual slot modules  
**S7701FR** Standalone Enclosure