



The 7700ACO2 is the industry's leading smart automatic changeover (ACO) for standard definition 270Mb/s serial digital video signals.

This device provides:

- Dual processing paths on a single module
- Smart SD-SDI automatic protection switching of both paths
- Video and Audio Proc Amp Control
- Built in Trouble Slide per ACO
- Optional IntelliGain™ Audio Loudness Processing with Dynamic Audio Range Control

These modules have dual independent processing paths providing both high density and availability of any HD-SDI or SD-SDI video inputs signals (program and back up). These modules provide a passive loop-thru of both primary and backup input video sources and provide dual safe program outputs.

The 7700ACO2 incorporates Evertz® essential audio and video monitoring which is used to drive the real time automatic switch logic processor. Common parameters include user configurable loss of signal, freeze, and black detect.

The 7700ACO2 can optionally be ordered with Evertz® patented IntelliGain™ Audio and Loudness Processor. The IntelliGain™ processor is designed to normalize perceived differences in audio loudness and in real time for any HD/SD-SDI signal with embedded audio. This module will internally de-embed the audio signals; regulate the signal level based on a used defined target loudness level, then re-embed the corrected audio signals back into the video output.

VistaLINK® enables control and configuration capabilities via Simple Network Management Protocol (SNMP). This offers the flexibility to manage the module status monitoring and configuration from SNMP - enabled control systems such as Evertz® VistaLINK® PRO locally or remotely.

The 7700ACO2 occupies two card slots and can be housed in the 3RU 7800FR frame, which has a 15-slot capacity, or the portable 3RU 350FR frame that has a 7-slot capacity.

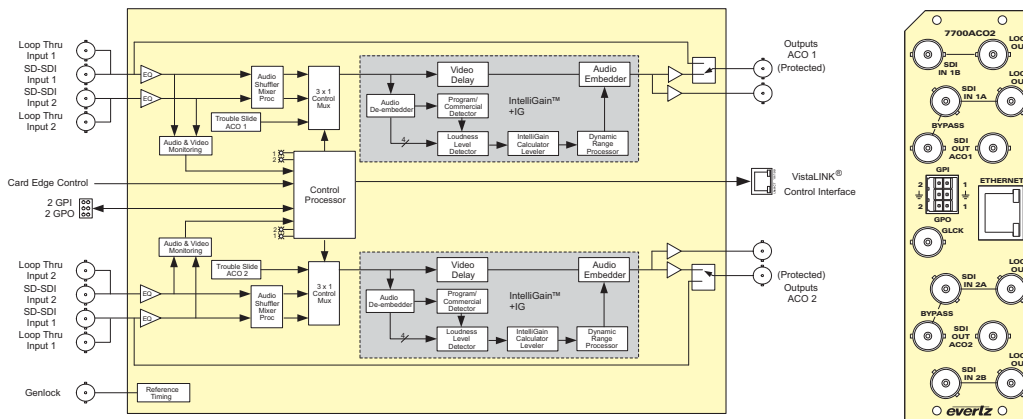
► Features & Benefits

Video Inputs and Outputs

- Smart Automatic changeover based on user programmable switch logic
- Card edge menu control for configuration of operating modes and LEDs for reporting signal presence, router state, module status
- Bypass relay protection on main program output
- VistaLINK® capable for remote monitoring, control and configuration capabilities via SNMP; using VistaLINK® PRO, CP-2116E or CP-2232E Control Panels. VistaLINK® is available when modules are used with the 3RU 7800FR frame and a 7700FC VistaLINK® Frame Controller module in slot 1 of the frame

IntelliGain Audio and Loudness Processor

- Consistent audio loudness levels within a channel and/or program
- Automatic detection and level adjust for loud commercials
- Gain control within a program interval to preserve audio dynamic range
- Artifact-free transitions between program and commercials
- Elimination of drastic volume changes during commercials and interstitials



► Specifications

Serial Video Input:		Serial Video Output:		Electrical:	
Standard:	270Mb/s SMPTE ST 259M-1 (525i/59.94 or 625i/50)	Standard:	Same as input	Voltage:	+12V DC
Connector:	2 BNC per IEC 61169-8 Annex A	Number of Outputs:	2 Smart switched program outputs (Input 1 is bypass relay protected)	Power:	20W
Input Equalization:	Automatic to 300m @ 270Mb/s with Belden 8281 or equivalent cable	Connector:	BNC per IEC 61169-8 Annex A	EMI/RFI:	Complies with FCC regulations for Class A devices Complies with EU EMC directive
Return Loss:	> 20dB up to 270MHz	Signal Level:	800mV nominal	Physical (number of slots):	
		DC Offset:	0V ±0.5V	350FR:	2
		Rise and Fall Time:	900ps nominal	7700FR-C:	2
		Overshoot:	< 10% of amplitude	7800FR:	2
		Return Loss:	> 20dB up to 270MHz		
		Jitter:	< 0.10 UI		

► Ordering Information

7700ACO2	Dual SD-SDI Smart Automatic Changeover	Accessories	
Ordering Options	Rear Plate must be specified at time of order (Eg. Model +3RU)	7700FC	VistaLINK® Frame Controller
+IG	Integrated IntelliGain™ Audio and Loudness Processor	CP-2116E-H	Remote Control Panel
+TL	Thumbnails option with monitoring (Only available when used with a 7700FC/7800FC frame controller)	CP-2232E	Remote Control Panel
Rear Plate Suffix		Enclosures	
+3RU	3RU Rear Plate for use with 350FR, 7700FR-C or 7800FR Multiframe	350FR	3RU Portable Multiframe which holds up to 7 single slot modules
		7700FR-C	3RU Multiframe which holds up to 15 single slot modules
		7800FR	3RU Multiframe which holds up to 15 single slot modules
		7801FR	1RU Multiframe which holds up to 4 single or dual slot modules