

7700ACO2-SLKE, 7700ACO2-SLKE-HD

Dual HD/SD-SDI Smart Automatic Changeover with Integrated StreamLINK™ Encoder



The 7700ACO2-SLKE-HD is the industry's leading smart automatic changeover (ACO) for high definition 1.5Gb/s or standard definition 270Mb/s serial digital video signals.

This device provides:

- Dual processing paths on a single module
- Smart HD/SD-SDI automatic protection switching of both paths
- Video and Audio Proc Amp Control
- Built in Trouble Slide per ACO
- H.264 encode of either all four inputs in a quad-split, or any one input, built off Evertz® award winning StreamLINK™ engine
- Optional IntelliGain™ Audio Loudness Processing with Dynamic Audio Range Control

These modules have dual independent processing paths providing both high density and availability of any HD-SDI or SD-SDI video inputs signals (program and back-up). These modules provides a passive loop-thru of both primary and backup input video sources and provides dual safe program outputs.

The 7700ACO2-SLKE-HD incorporates Evertz® essential audio and video monitoring which is used to drive the real time automatic switch logic processor. Common parameters include user configurable loss of signal, freeze, and black detect.

The 7700ACO2-SLKE-HD can optionally be ordered with Evertz® patented IntelliGain™ Audio and Loudness Processor. The IntelliGain™ processor is designed to normalize perceived differences in audio loudness in real time for any HD/SD-SDI signal with embedded audio. This module will internally de-embed the audio signals, regulate the signal level based on a used defined target loudness level, then re-embed the corrected audio signals back into the video output.

VistaLINK® enables control and configuration capabilities via Simple Network Management Protocol (SNMP). This offers the flexibility to manage the module status monitoring and configuration from SNMP - enabled control systems such as Evertz VistaLINK® PRO locally or remotely.

The 7700ACO2-SLKE-HD occupies two card slots and can be housed in the 3RU 7800FR frame which has a 15 slot capacity or the portable 3RU 350FR frame which has a 7 slot capacity.

► Features & Benefits

Video Inputs and Outputs

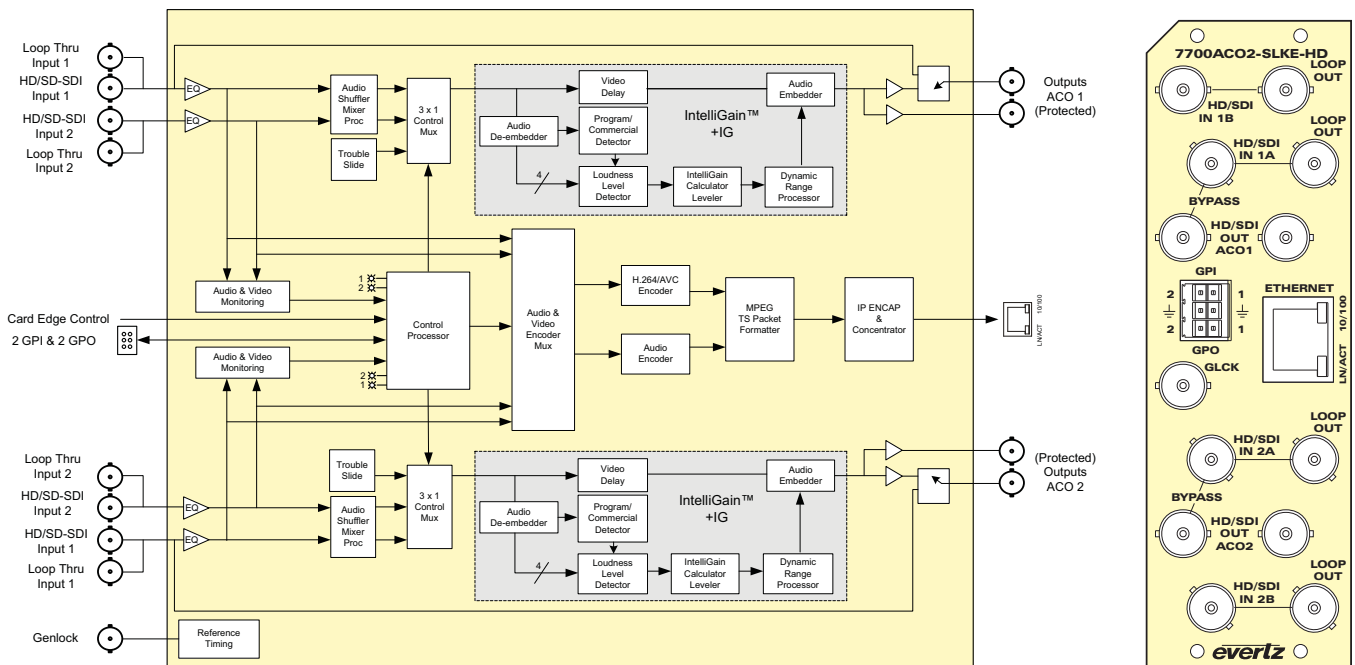
- Auto sensing of HD and SD input formats
- Smart Automatic changeover based on user programmable switch logic
- Card edge menu control for configuration of operating modes and LEDs for reporting signal presence, router state, module status
- VistaLINK® capable for remote monitoring, control and configuration capabilities via SNMP; using VistaLINK® PRO, CP-2116E or CP-2232E Control Panels. VistaLINK® is available when modules are used with the 3RU 7800FR frame and a 7700FC VistaLINK® Frame Controller module in slot 1 of the frame
- Bypass relay protection on main program output
- Integrated SoftSwitch technology for clean video and "popless" embedded audio switching

StreamLINK H.264 Video Encoder

- Standard Definition H.264 of content for confidence monitoring
- Available as a quad-split of all input signals, or one cherry picked signal
- Audio is cherry picked as one pair from any input source

IntelliGain Audio and Loudness Processor

- Consistent audio loudness levels within a channel and/or program
- Gain control within a program interval to preserve audio dynamic range
- Artifact-free transitions between program and commercials
- Elimination of drastic volume changes during commercials and interstitials
- Ideal for aggregator applications and multi-channel playback facilities (DTH, Cable, IPTV...)



7700ACO2-SLKE, 7700ACO2-SLKE-HD

Dual HD/SD-SDI Smart Automatic Changeover with Integrated StreamLINK™ Encoder



► Specifications

Serial Video Input:		Signal Level:	800mV nominal	Frame Rate:	Full frame rate
Standard:	Auto-detects standard 1.485Gb/s ST 292-1 (1080i/59.94, 1080i/50, 720p/59.94, 720p/50) SMPTE ST 260-1, SMPTE ST 274-1, SMPTE ST 296-1, SMPTE ST 349-1 (HD or SD carrier) 270Mb/s SMPTE ST 259-1 (525i/59.94 or 625i/50)	DC Offset:	0V ±0.5V	Audio Channels:	1 Stereo Pair (L/R)
Connector:	2 BNC per IEC 61169-8 Annex A	Rise and Fall Time:	200ps nominal	Audio Output Bit Rate:	Fixed 192Kb/s
Input Equalization:	Automatic 100m @ 1.5Gb/s with Belden 1694A or Equivalent cable	Overshoot:	< 10% of amplitude	Delivery:	UDP Unicast/Multicast
Return Loss:	> 20dB up to 270MHz > 12dB up to 1.5GHz	Return Loss:	> 20dB up to 270MHz	Electrical:	
		Jitter:	< 0.16 UI (HD)	Voltage:	+12V DC
		Signal Encoding:		Power:	20W
Reclocked Serial Video Output:		Video Encoding Engine:	H.264/AVC (MPEG-4 Part 10) SD Base Profile @ Level 3	EMI/RFI:	Complies with FCC regulations for Class A devices Complies with EU EMC directive
Standard:	Same as input	Audio Encoding Engine:	MPEG 1 L2/AC-3 Pass Thru	Physical (number of slots):	
Number of Outputs:	2 Smart switched program outputs (Input 1 is bypass relay protected) Loop thru on Input A and Input B	Traffic Shaping:	Constant bit rate	350FR:	2
Connector:	BNC per IEC 61169-8 Annex A	GOP Structure:	Configurable GOP sizes	7700FR-C:	2
		Video Resolution:	525i/625i	7800FR:	2
		Recommended Bit Rate:	>= 1Mb/s		
		Frame Encoding:	IP		

► Ordering Information

7700ACO2-SLKE	Dual SD-SDI Smart Automatic Changeover	Accessories	
7700ACO2-SLKE-HD	Dual HD/SD-SDI Smart Automatic Changeover	7700FC	VistaLINK® Frame Controller
		CP-2116E-H	Remote Control Panel
		CP-2232E	Remote Control Panel
Ordering Options	Rear Plate must be specified at time of order Eg: Model +3RU	Enclosures	
+IG	Integrated IntelliGain™ Audio and Loudness Processor	350FR	3RU Portable Multiframe which holds up to 7 single slot modules
Rear Plate Suffix		7700FR-C	3RU Multiframe which holds up to 15 single slot modules
+3RU	3RU Rear Plate for use with 350FR, 7700FR-C or 7800FR Multiframe	7800FR	3RU Multiframe which holds up to 15 single slot modules
		7801FR	1RU Multiframe which holds up to 4 single or 2 dual slot modules