

7700ACO-HD

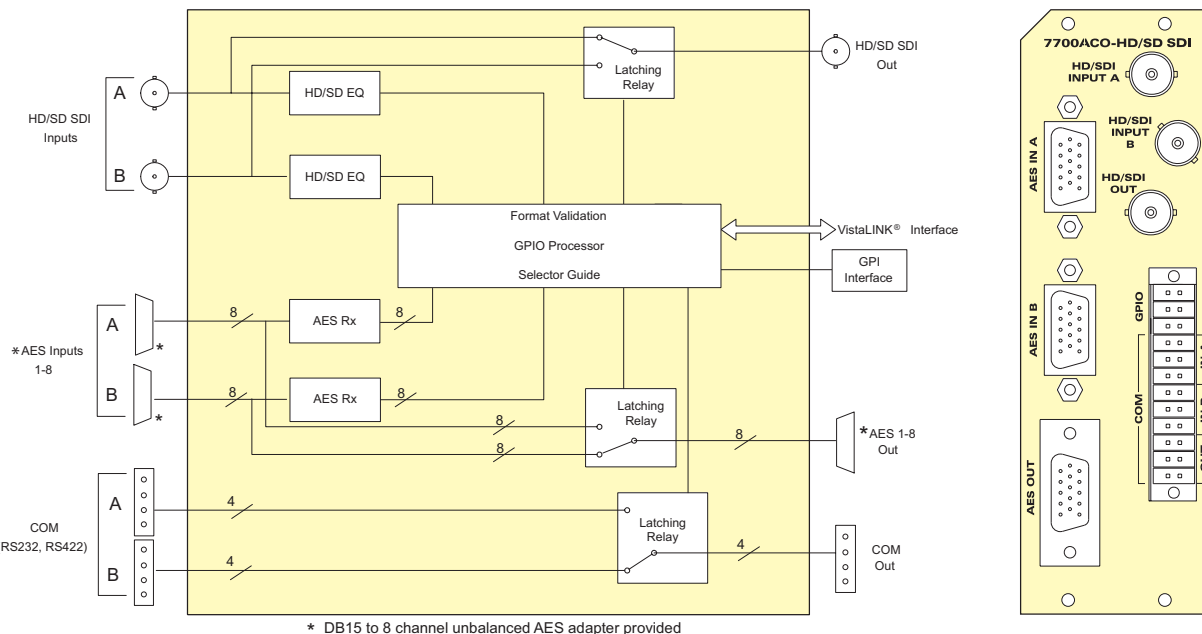
HD/SD-SDI 8 Channel AES & RS-232/RS-422 Auto Changeover

The 7700ACO-HD HD/SDI Auto Changeover is designed to provide an HD/SD SDI video, multi channel AES audio and RS-232/RS-422 changeover in one device. The unit can be controlled via GPI, remotely via VistaLINK® PRO or set in auto changeover mode.

It is an all-in-one ACO package aimed towards protecting a complete channel (ie. protecting the video, 8 channels of discrete AES and associated control channel (RS-232 or RS-422)). The unit features latching relays that maintain state through loss of power.

►Features & Benefits

- Auto detection of signal standard
- Four modes of operation:
 - Auto changeover - two standalone auto changeovers
 - Manual DIP switch control - two independently controlled 2x1 switchers
 - GPI Control - two independently GPI controlled 2x1 switchers
 - Tally output provided
- Protection for 8 channels of AES
- Control channels
- Protection (on HD (1.5Gb/s) or SD (270Mb/s))
- Changeover conditions are based on signal presence of:
 - HD/SDI (TRS timing, CRC and EDH)
 - DVB-ASI (SMPTE sync word); Sync (H timing) and AES (sync word)
- VistaLINK® capable for remote monitoring, control and configuration capabilities via SNMP; using VistaLINK® PRO, CP-2116E or CP-2232E Control Panels. VistaLINK® is available when modules are used with the 3RU 7800FR frame and a 7700FC VistaLINK® Frame Controller module in slot 1 of the frame



►Specifications

Serial Video Inputs:

Standards: SMPTE 292M (1.5Gb/s)
SMPTE 259M-A, B, C, D (143 to 540Mb/s) or DVB-ASI
Connector: 2 BNC per IEC 61169-8 Annex A
Max Cable Length: 100m of Belden 1694A or equivalent cable combined input and output
Return Loss: 10dB up to 1.5Gb/s

Serial Video Output:

Number of Outputs: 1 passive relay output
Connector: BNC per IEC 61169-8 Annex A
Max Cable Length: 60m of Belden 1694A or equivalent cable combined input and output
DC Offset: 0V ±0.5V
Return Loss: 10dB up to 1.5Gb/s

General Purpose Inputs and Outputs:

Type: Opto-isolated input with internal pull-up to +5V
Inputs: Normally 10k internal pull-up to +5V. Ground to rear panel when relay is in active position.
Outputs: Screw down terminal blocks
Signal Level: +5V nominal

Communications and Control:

Serial Port: RS-232/RS-422 - 4 wire, terminal block
Connector: 4 pins on removable terminal block

AES Input:

Standard: SMPTE 276M
Number of Inputs: 8 unbalanced AES
Connector: Female High Density dB-15 (breakout cable to BNC provided)
Input Level: 1V p-p
Input Impedance: 75Ω
Return Loss: > 25dB 100kHz to 600MHz
Equalization: Automatic to 1500m with Belden 1694A (or equivalent) @ 48kHz AES signal

AES Output:

Number of Outputs: 8 Unbalanced AES
Connector: Female High Density dB-15 (breakout cable to BNC provided)
Output Level: 1V p-p
Output Impedance: 75Ω
Return Loss: > 25dB 100kHz to 6MHz

Physical (number of slots):

350FR: 2
7700FR-C: 2
7800FR: 2

Electrical:

Voltage: +12V DC
Power: 6W
EMI/RFI: Complies with FCC Part 15 Class A EU EMC Directive

►Ordering Information

7700ACO-HD HD/SD-SDI, 8 Channel AES & RS-232/RS-422 Auto Changeover

Ordering Options Rear Plate must be specified at time of order
Eg: Model +3RU

Rear Plate Suffix

+3RU 3RU Rear Plate for use with 350FR, 7700FR-C or 7800FR Multiframe

Accessories

7700FC VistaLINK® Frame Controller
CP-2116E-H Remote Control Panel
CP-2232E Remote Control Panel
WPAES8-BNCM-6F AES Audio Breakout Cable

Enclosures

350FR 3RU Portable Multiframe which holds up to 7 single slot modules
7700FR-C 3RU Multiframe which holds up to 15 single slot modules
7800FR 3RU Multiframe which holds up to 15 single slot modules
7801FR 1RU Multiframe which holds up to 4 single or 2 dual slot modules