

570REM-TX8-10GE

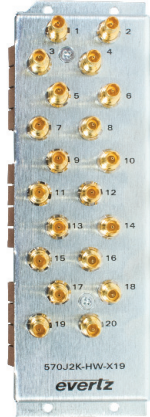
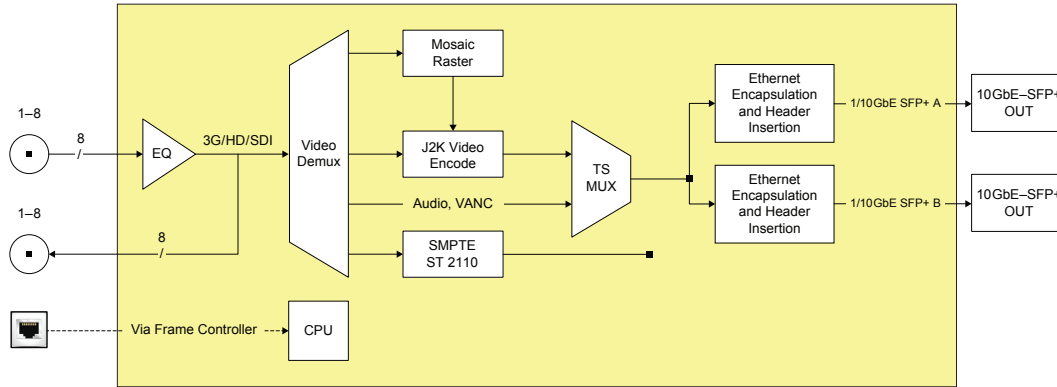
8x J2K Encoders and SMPTE ST 2110 Encapsulation Paths driven by 2x UHD or 8x 3G SDI Inputs, 6x 10GbE SFP Cages

The 570REM-TX8-10GE is a high-performance multi-channel encoding platform. The exceptional density of the 570REM-TX8-10GE supports up to 8x channels of 3G, HD/SDI, SD/SDI or up to 2x channels of UHD "Quad Square or 2SI" JPEG2000 encoding.

Providing further flexibility the 570REM-TX8-10GE provides 2x MOSAIC JPEG2000 encoded outputs. The 570REM-TX8-10GE2 also provides loop SDI outputs.

The 570REM-TX8-10GE will provide auto-timing time-stamped Ethernet outputs, multi-resolution JPEG2000 streaming outputs.

The 570REM-TX8-10GE can be managed via integrated HTTP web interface as well as SNMP management via Frame Controller.



Features & Benefits

- 8x 3G/HD/SD or 2x UHD JPEG2000 and 2x Mosaic JPEG2000 encodes
- 8x 3G/HD/SD SDI loop outputs
- Standards Supported: 3840x2160p/59.94/50 (Quad Division or 2SI), 1080p/59.94/50 Level A, 1080i/59.94/50, 720p/59.94/50, 625i/50 and 525i/59.94
- VSF TR-01 v2
- Mezzanine Encode Processing and Encapsulation over IP: Video JPEG2000 encoded to native resolution, SMPTE ST 2110 encapsulation
- 4x groups of audio de-encapsulated and pass-through
- Full VANC encapsulation and pass-through
- Modules support control over frame controller or direct Ethernet interface. SNMP control from VistaLINK PRO or MAGNUM Unified Control.

Specifications

| | | |
|---|---|---|
| Serial Digital Video: Standards: SMPTE ST 424M (3 Gb/s), SMPTE ST 292M (1.5 Gb/s), SMPTE ST 259M (270 Mb/s) | Serial Video Output: Number of Outputs: 8 Connector: DIN | Electrical: Power: 90W Voltage: 12VDC EMI/RFI: Complies with FCC Part 15, Class A EU EMC directive |
| Serial Video Input: Number of Inputs: 8x SDI Connector: DIN Input Equalization: Automatic to 100m @ 3 Gb/s, 150m @ 1.5 Gb/s and 350m @ 270 Mb/s | IP Output: Ethernet Interface: 6x 10GbE SFP/SFP+ Encapsulation: MPEG-2 TS over IP Uncompressed: SMPTE ST 2110 Ethernet/IP Signaling: Multicast | Enclosures: 570FR: 3RU chassis 1RU chassis |
| Return Loss: >15dB up to .5 GHz, >10dB up to 3 GHz | Embedding of HANC & VANC: 4x Groups Audio pass-through per encoder All type of VANC data pass-through | Physical (number of slots): 570FR: 2 S570FR: 2 |

Ordering Information

570REM-TX8-10GE 8x J2K Encoders and SMPTE ST 2110 Encapsulation Paths driven by 2x UHD or 8x 3G SDI Inputs, 6x 10GbE SFP Cages

SFP Modules:
SFP10G-TR13-A
SFP10G-TR85-A

10GbE Optical SFP+
 SFP+ Optical Transceiver, 10Gbs, 850nm, MMF