

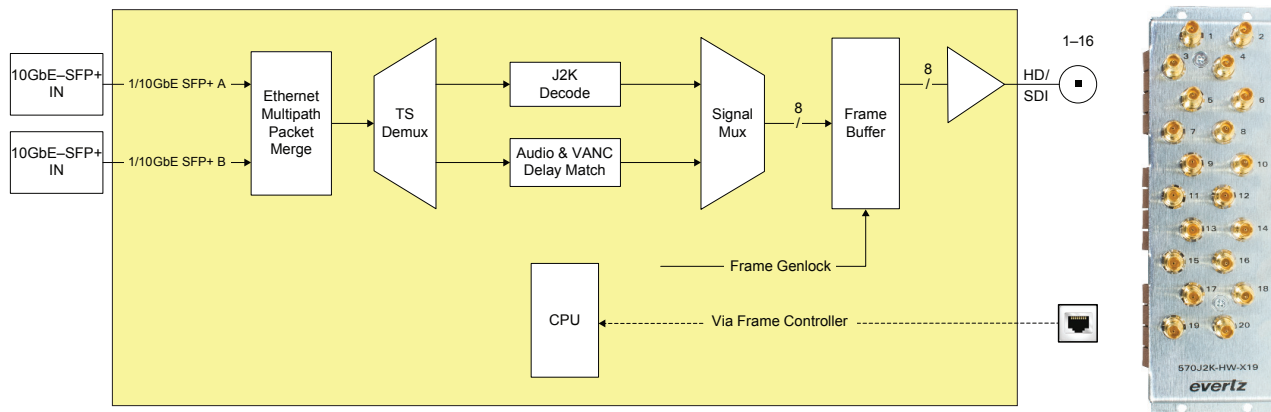
570REM–RX8–10GE

8x J2K Decoders driving 2x UHD or 8x 3G SDI Inputs, 4x 10GbE SFP Cages

The 570REM–RX8–10GE is a high performance multi–channel JPEG2000 decoding platform. The exceptional density of the 570REM–RX8–10GE enables up to 8x channels of 3G, HD/SDI, SD/SDI or up to 2x channels of UHD JPEG2000 decoding. The 570REM–RX8–10GE provides 2x SDI outputs for every JPEG2000 decode.

The 570REM–RX8–10GE incorporates patent–pending multi–path, multi–flow packet merge base network bit error resilience for 100% QoS.

The 570REM–RX8–10GE can be managed via integrated HTTP web interface as well as SNMP management via Frame Controller.



►Features & Benefits

- 8x 3G/HD/SD or 2x UHD JPEG2000 decodes with 2x SDI decoded outputs per JPEG2000 decode
- Standards Supported: 3840x2160p/59.94/50 (Quad Division or 2SI), 1080p/59.94/50 Level A, 1080i/59.94/50, 720p/59.94/50, 625i/50 and 525i/59.94
- Support VSF TR–01 v2
- 4x groups of audio embedded on SDI output
- Full VANC de–encapsulation and embedding on SDI outputs
- Modules support control over frame controller or direct Ethernet interface. SNMP control from VistaLINK PRO or MAGNUM Unified Control.
- Built–in frame sync to lock output video to genlock

►Specifications

Serial Digital Video: Standards: SMPTE ST 424M (3 Gb/s), SMPTE ST 292M (1.5 Gb/s), SMPTE ST 259M (270 Mb/s)	IP Input: Ethernet Interface: 4x 10GbE SFP/SFP+ Ethernet/IP Signaling: Multicast IGMP V2/V3 (SSM Support)	Electrical: Power: 90W Voltage: 12VDC EMI/RFI: Complies with FCC Part 15, Class A EU EMC directive
Serial Video Input: Number of Inputs: Not Applicable Input Equalization: NA Return Loss: NA	Embedding of HANC & VANC: 4x Groups Audio pass–through per encoder All type of VANC data pass–through	Enclosures: 570FR: 3RU chassis 1RU chassis
Serial Video Output: Number of Outputs: 16x SDI Connector: DIN Rise and Fall Time: Per SMPTE spec		Physical (number of slots): 570FR: 2 S570FR: 2

►Ordering Information

570REM–RX8–10GE 8x J2K Decoders driving 2x UHD or 8x 3G/HD/SD SDI output, 4x 10GbE SFP Cages (SFP+ sold separately)

SFP Modules:
SFP10G–TR13–A 10GbE Optical SFP+
SFP10G–TR85–A SFP+ Optical Transceiver, 10Gbs, 850nm, MMF