

# 570ITXE-HW-P60

## IP On Ramp Gateway



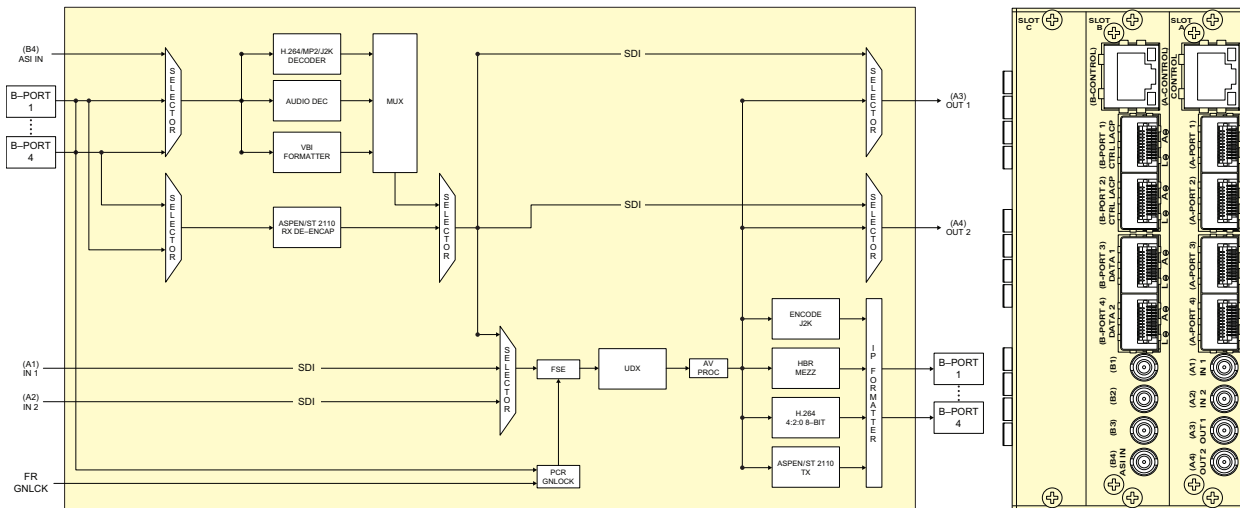
With the transition to IP, many facilities operate in a hybrid environment. Ingested content entering the workflow needs to be processed and ready to output to a variety of platforms and formats...which traditionally necessitates separate video processors, gateways, encoders, decoders, transcoders, up/down/cross converters and IPTV encoders. Evertz' 570iTXE offers the flexibility to take anything in and send anything out by providing a single point of entry for all compressed and uncompressed signals, eliminating the need for bulky infrastructure. Therefore, the 570iTXE is the ideal solution for hybrid broadcast facilities and broadcasters looking to transition to IP.

The 570iTXE acts as the front edge of signal/content acquisition. It can create multiple transcoded versions ("tracks") of each signal which can be routed, recorded, edited and played out from downstream products.

The 570iTXE also provides incredible versatility. For example, if low latency is required, the downstream device can use the J2K (or SMPTE ST 2110/ASPEN) or AVCI-100 track if editing is required. Alternatively, if basic in-house monitoring or rough cut editing via an external device is needed, low bitrate H.264 can be used. This offers incredible flexibility for live production workflows.

### Features & Benefits

- Triple stage output encoder: H.264 (4:2:0/8-bit, 4:2:2/10-bit) and ASPEN/ SMPTE ST 2110/J2K
- Video standard: 525i/59.94, 625i/50, 720p/59.94, 720p/50, 1080i/59.94, 1080i/50, 1080p/59.94 Level A, 1080p/50 Level A
- Easy-to-use web browser interface and/or SNMP for configuration/control
- Decoder stage supports H.264, MPEG-2 and J2K
- Video and audio processing \*
- Option to GOP-align lock 4:2:0/8-bit and 4:2:2/10-bit output



- AV SOLUTIONS
- CONTRIBUTION & DISTRIBUTION
- CONTROL MONITORING
- ENCODING, TRANSCODING & MULTIPLEXING
- FACILITY LINK & FIBER TRANSPORT
- INFRASTRUCTURE & CONVERSION
- IP SOLUTIONS
- LIVE MEDIA PRODUCTION
- MEDIA ASSET & PLAYOUT
- MULTIVIEWERS
- IP SOLUTIONS
- ROUTERS
- WAN TRANSPORT

# 570ITXE-HW-P60

## IP On Ramp Gateway



### Specifications

#### Decoder Specifications:

- Video:
- Support for MPEG-2/H.264 and J2K \*

#### Audio:

- AAC (stereo only) \*
- AC3 (stereo/5.1) \*
- Dolby® Plus \*
- MPEG-2 \*
- Dolby® E \*
- PCM pass-through

#### Uncompressed Over IP Specifications:

- SMPTE ST 2110, ASPEN
- PTP locking supported for sync rates of 32Hz and above

#### Video Encoder Specifications: \*\*

- H.264 4:2:0 8-bit output: up to 15Mb/s
- H.264 4:2:2 10-bit output: up to 80Mb/s
- J2K 4:2:2 10-bit output: up to 250Mb/s

#### Audio Encoder Specifications:

- AAC \*
- PCM
- Dolby® E \*

#### Data Flow:

- 2x 10GbE
- 2x 1GbE \*\*\*

#### (UDX) A/V Proc:

- Video gain
- Y offset
- Saturation gain
- Hue
- Cb gain
- Cr gain
- Audio gain
- Audio inversion
- Audio mixing

#### UDX:

- Up/down/cross conversion
- Aspect ratio conversion \*

#### FSE:

Frame sync through genlock and master PCR

#### Inputs:

- DIN for video processing/encoding stage and ASI input
- IP for video and metadata in

#### Control:

- SNMP with Ethernet access provided by a local frame controller
- WebEasy
- LACP control \*\*\*

#### Physical (Number of Slots):

570FR: 3 (three frame slots per blade or four transcodes per frame)

#### Compliance:

Supported Media Standards:  
AMWA NMOS IS-04 v1.3  
and IS-05 v1.1

### Ordering Information

#### 570ITXE-HW-P60

Modular IP on ramp gateway. Support for SDI input, H264 IPTV and uncompressed over IP outputs enabled. Support for decoding, Mezz encode, J2K encode, UDX and audio encoding/decoding requiring firmware keys to activate. (Excludes SFPs)

#### Channel Key Options:

##### 570ITXE-CK-MEZZ

Channel key enabling H264 422 10Bit Mezzanine encode

##### 570ITXE-CK-XDCAM

Channel key enabling HD MPEG2 XDCAM encode

##### 570ITXE-CK-J2KPC0

3G/HD/SD JPEG 2000 Encoder License for 570ITXE

#### Feature Key Options:

##### 570ITXE-FK-DEC

Feature key enabling MPEG2/H264/J2K decoding on 570ITXE-HW-P60 Platform

##### 570ITXE-FK-UDC

Feature key enabling Up/Down/Cross conversion and A/V Proc

##### 570ITXE-FK-AACD

AAC decode software option (up to 5.1)

##### 570ITXE-FK-AAEC

AAC encode software option (up to 5.1)

##### 570ITXE-FK-AC3E

AC3 encode software option (up to 5.1)

##### 570ITXE-FK-DD

AC3/Dolby® E decode software option (up to 8 channels)

##### 570ITXE-FK-DDPE

Dolby® Digital Plus encode software option (up to 7.1)

##### 570ITXE-FK-DEE

Dolby® E encode software option (up to 7.1)

##### 570ITXE-FK-MP1L2D

MPEG1-L2 decode software option (up to 2 channels)

##### 570ITXE-FK-MP1L2E

MPEG1L2 encode software option (up to 2 channels)

##### 570ITXE-FK-XSD

Feature key for enabling XS decoding on 570ITXE-HW-P60 platform up to 3G

#### SFP Interface Options:

##### SFP10G-TR13-J

SFP+ Optical Transceiver, 10Gbps, 1310nm, SMF, 10km

##### SFP10G-TR85-J

SFP+ Optical Transceiver, 10Gbps, 850nm, MMF, 300m

##### SFPTR-RJ45-SGM-AV

10/100/1000Mbps RJ45 SFP module with SGMII interface

#### Enclosures:

##### 570FR

Compact High Density Distribution Frame, includes main power supply

##### +57PS

Redundant power supply

\* Requires license

\*\* Contact factory for other codec support

\*\*\* Based on application firmware,  
1GbE ports can be used for LACP  
control or GbE data

Copyright © Evertz Microsystems Ltd., all rights reserved. Information contained in this document is confidential, privileged and only for the information of the intended recipient; this file may not otherwise be used, published or redistributed without the prior written consent of Evertz Microsystems. Please consider the environment before printing this proprietary document.