

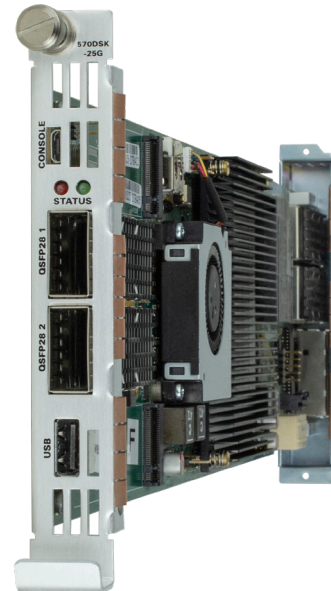
570DSK-25G

Single Path Downstream HD/3G/4K/UHD IP Keyer with Logo Insertion



The **570DSK** is a single-path downstream UHD IP keyer with logo insertion, capable of HDR processing. As part of Evertz' Software Defined Video Networking solution, the 570DSK is an IP-based downstream keyer with 25GbE I/O for 3G/4K/UHD applications in IP-based environments. Each path supports 3G/4K/UHD with an external keyer (from Key/Fill inputs) and an internal logo compositor for animations and static logos.

Content for internal logo layer is stored on a customer provided NAS server or on the card itself. The 570DSK can be controlled externally from its locally hosted web, traditional CP-2232E, VUE (Evertz' customizable context oriented user interface), and/or by third-party automation system over IP. The 570DSK is VistaLINK® PRO capable, offering remote monitoring, control and configuration capabilities via Simple Network Management Protocol (SNMP).

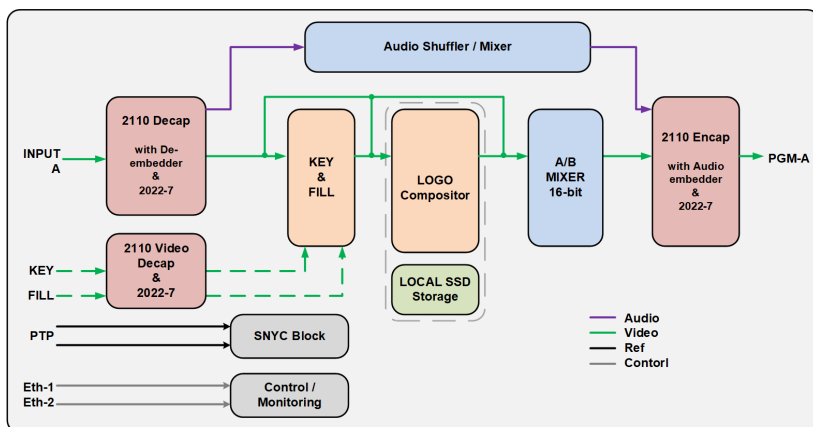


Key IP Standards Support Features

- SMPTE ST 2110, including SMPTE ST 2059 for PTP timing
- SMPTE ST 2110-30 audio, levels A and B
- Multi-path merge based on SMPTE ST 2022-7
- NMOS 4, 5 for discovery, routing with SDP files

Video Formats

- 1080i/59.94, 1080i/50,
- 1080p/59.94, 1080p/50,
- 3840x2160p/59.94,
- 3840x2160p/50



Features & Benefits

- Full 16-bit linear RGB keyer with video fade-in and fade-out processing
- One external keyer supporting HD/3G/UHD
- Inserts static or animated logos from bug to full screen sizes
- 100GB of local SSD storage with option to expand
- Multiple control interfaces and/or third-party automation using IP
- Evertz' SDVN Now/Next clean switch
- 4x 100G capable QSFP ports

570DSK-25G

Single Path Downstream HD/3G/4K/UHD IP Keyer with Logo Insertion



Specifications

Video Interfaces:

Program, Key and Fill:

Standards: SMPTE ST 424M (3Gb/s),
SMPTE ST 2082 (12Gb/s)
for video payload
definition

Encapsulation:

Video: SMPTE ST 2110-20

Audio: SMPTE ST 2110-30

Metadata: SMPTE ST 2110-40

Reference:

- SMPTE ST 2059

Ethernet Interface:

- 4x QSFP28
- 2x RJ-45 (10/100/1000)

Data Format:

- Ethernet/IP/UDP

Physical:

Number of Slots: 1

Enclosures:

570FR: 15-slot 3RU chassis
S570FR: 4-slot 1RU chassis

Ordering Information

570DSK-25G

570 Keyer hardware module with 2 front QSFP and 2 rear QSFPs capable of 10/25/100G Ethernet for IP core environments. The software enabled +options required for enabling functions like 2110 with Main and Backup 2022-7 signals, DSK for Key and Fill Inputs, MG for static and animated logo generator with VO, Video standards support HD, 3G, and UHD, as well as other features like Crawls and EAS support. QSFP modules are sold separately.

License Options:

570DSK-25G-FK-2110

A software license key to enable 2110 with 2022-7 redundancy on the 570DSK-25G

570DSK-25G-FK-10G

A software license key to enable 10G Ethernet connections on the QSFP ports of the 570DSK-25G, note that the UHD option is not supported with 10G interfaces

570DSK-25G-FK-25G

A software license key to enable 25G Ethernet connections on the QSFP ports of the 570DSK-25G

570DSK-25G-FK-100G

A software license key to enable 100G ethernet connections on the QSFP ports of the 570DSK-25G

570DSK-FK-HD

A software license key to enable 1080i HD on the 570DSK platform

570DSK-FK-3G

A software license key to enable 1080P-3G on the 570DSK platform

570DSK-FK-UHD

A software license key to enable UHD on the 570DSK platform

570DSK-FK-HLG

A software license key to enable HLG HDR processing on the 570DSK platform

570DSK-FK-DSK

A software license key to enable the DSK option, a key and fill, on the 570DSK platform

570DSK-FK-MG

A software license key to enable the media logo generator supporting animated logo's and file-based Voice overs on the 570DSK platform

570DSK-FK-TXT

A software license key to enable text crawl, CG effects for internal branding composer engine on the 570DSK platform

QSFP Options:

QSFP25G-SM-PSM4-LR-G-NFEC 100G QSFP, 4-channel 1310nm, MPO/APC connector, 10km

QSFP25G-MM-M 100G QSFP, 4-channel 850nm multi-mode

QSFP-10G-TR13-G 40G PSM LR4 10km QSFP+ optical transceiver

Ordering Options:

CBL-MTP-LC8-5M 5 meter MTP to LC Breakout cable for QSFP PSM Optical Transceivers