

# 520DD-AESU

## Dolby-E/AC-3™ Decoder

The 520DD-AESU is a professional Dolby audio decoder that automatically detects Dolby-E®, Dolby Digital (AC-3)™, and PCM streams in the AES input, and translates them to PCM (linear) audio. Up to 8 discrete audio channels may be contained in 1 AES stream when encoded as Dolby-E®, yielding up to 4 AES PCM outputs. A fifth stereo pair is obtained as the downmix of the above multi-channel audio. It can be mono, stereo or surround (ProLogic) and may optionally be routed to the output.

So that the multi-channel outputs in PCM form can be re-assembled back into Dolby-E® or Dolby Digital further downstream, an additional output with metadata is provided. It contains information about the assumed inter-channel relationships (whether they are 5.1, or 4 stereo pairs, etc.), their expected dialogue levels, etc.

Dolby-E® is capable of carrying LTC data embedded within its stream. It can be selected as an output, instead of metadata.

For lipsync cohesion and ease of editing, Dolby-E® data is organized in blocks with lengths matching associated video frame. The decoder will match the beginning of each output block with the start of video, as provided with the genlock input. Additional delay can be dialed up by the user, up to 3 seconds. Reference video frame rate must match that assumed by the Dolby-E® stream. An extra AES input is provided that can be configured as a backup channel, in the event the primary is lost, or as a voice-over source.

The 520DD-AESU is housed in the 3RU 500FR **exponent** frame that will hold up to 16 modules.

### ►Features & Benefits

- Headphone jack with monitoring stereo down-mix
- Secondary AES input with backup contents or voice-over
- Card edge display for Dolby decoder status & audio channel peak levels bargraphs
- Adjustable audio delay up to 3 seconds, independent for all 8 channels
- VistaLINK® -capable for remote monitoring via SNMP (using VistaLINK® PRO) when installed in 500FR frame with 500FC VistaLINK® Frame Controller

### Inputs

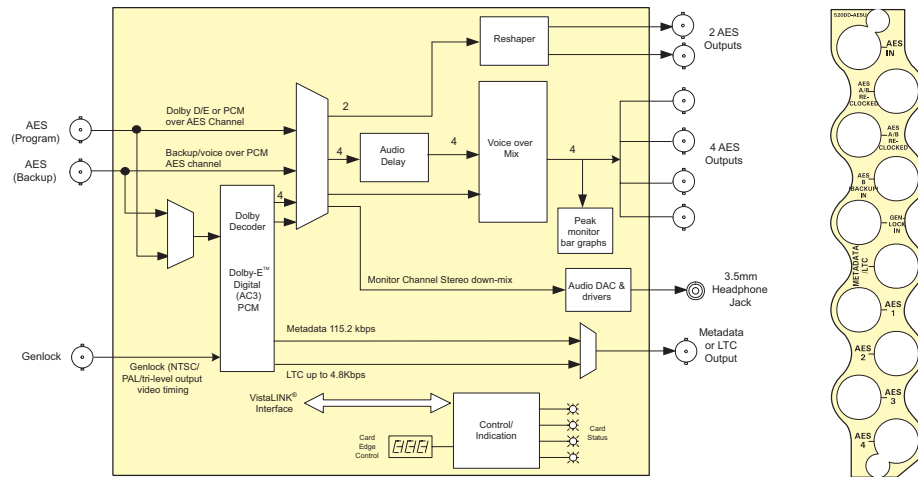
- 1 Unbalanced AES (SMPTE 276M standard version on coax) with Dolby-E®, Dolby Digital or PCM (autodetect)
- 1 Unbalanced AES (SMPTE 276M standard version on coax) with voice over PCM
- Video genlock - composite black or tri-level (autodetects) for lip-sync management, Dolby-E® style

### Outputs

- 2 outputs with reshaped AES input
- 4 AES (SMPTE 276M) output with decoded PCM audio
- Metadata or LTC
- Available ProLogic downmix

### Card Edge LEDs

- Module status
- AES input health
- Dolby decoder processing status
- Genlock health



► **Specifications**

**AES Audio Input:**

Number of Inputs: 2 (program, backup)  
 Standard: SMPTE 276M, unbalanced AES  
 Connectors: BNC per IEC 61169-8 Annex A  
 Signal Level: 0.1 to 2.5V p-p  
 Equalization: Auto > 1000m with 1V p-p drive and Belden 1694A or equivalent coax cable  
 Resolution: 24 bits  
 Sample Rate: 48kHz; ±100ppm  
 Input Impedance: 75Ω  
 Return Loss: > 25dB, 100kHz to 6.0MHz

**AES Audio Outputs:**

Number of Outputs: 6 (2 reclocked & 4 PCM decodes)  
 Standard: SMPTE 276M, unbalanced AES  
 Connectors: BNC per IEC 61169-8 Annex A  
 Sample Rate: 48kHz  
 Impedance: 75Ω unbalanced  
 Return Loss: > 25dB, 100kHz to 6.0MHz

**Genlock Input:**

Type: NTSC or PAL color black sync (525 line or 625 line) or HD tri-level sync

Connector: 1 BNC per IEC 61169-8 Annex A  
 Impedance: Hi-Z or 75 jumper configurable  
 Return Loss: > 40dB to 10MHz

**Metadata Output:**

Number of Outputs: 1  
 Type: Dolby Metadata SMPTE RDD6  
 Connector: BNC per IEC 61169-8 Annex A (shared with LTC output as per user selection)  
 Signal Level: < ±3V @ 4kΩ load  
 Output Impedance: 50Ω, DC coupled  
 Rise Times: 200ns

**LTC Output:**

Number of Outputs: 1  
 Standard: SMPTE 12M-1  
 Connector: BNC per IEC 61169-8 Annex A  
 Signal Level: Adjustable from 0.5 to 4.0V p-p @ 1kΩ load  
 Output Impedance: 50Ω  
 Rise Times: 40μs ±10μs

**Headphone Audio Outputs:**

Number of Outputs: 1  
 Type: Stereo 3.5mm jack  
 Output Load: 32Ω  
 Signal Level: 100mW max, soft adjustable over 40dB range  
 THD+N: 1%  
 SNR: 90dB RMS, "A" weighted

**Electrical:**

Voltage: +12V DC  
 Power: 6W  
 EMI/RFI: Complies with FCC Part 15 Class A EU EMC Directive

**Physical:**

Number of slots: 1

► **Ordering Information**

**520DD-AESU**    Dolby-E/AC-3™ Decoder

**Accessories:**

**500FC**    VistaLINK® Frame Controller  
**CP-2116E-H**    Remote Control Panel  
**CP-2232E**    Remote Control Panel

**Enclosures**

**500FR**  
**S501FR**

**exponent**

Compact High Density Distribution Frame  
 Standalone enclosure

