

# 501ADA-EQ

## Analog Video Distribution Amplifier with Cable Equalization (1x9)



The 501ADA-EQ Analog Video Distribution Amplifier is a general purpose amplifier for distributing 75Ω analog video signals.

The 501ADA-EQ is housed in the 3RU 500FR **exponent** frame that will hold up to 16 modules

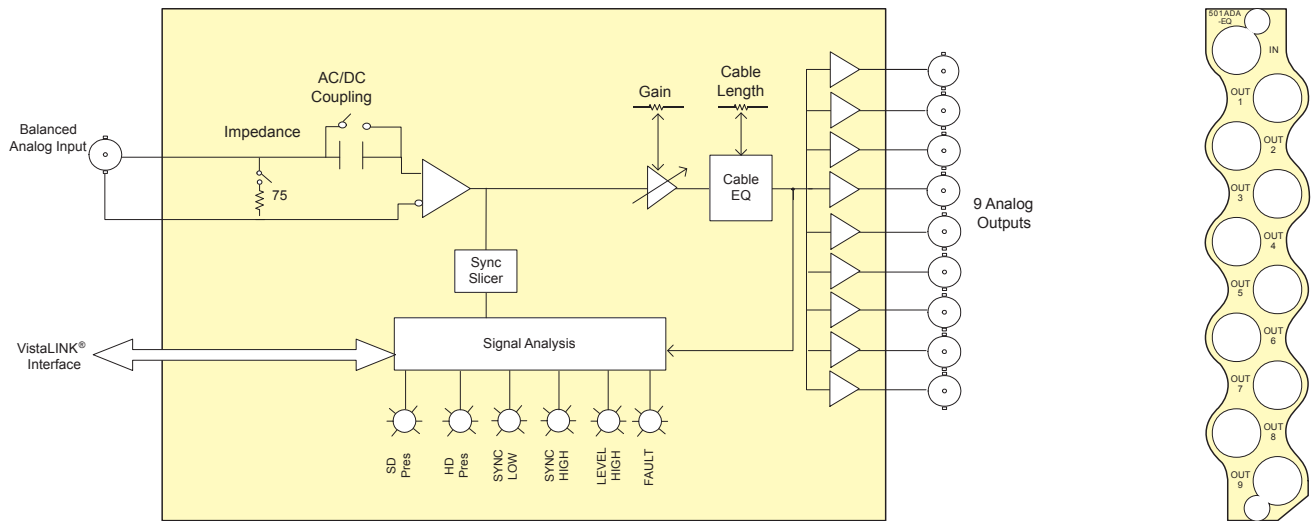
The 501ADA-EQ features one balanced equalized input with nine unbalanced outputs. The 501ADA-EQ amplifier has been designed to distribute a wide range of analog video signals. It can also distribute other pulses and signals that are less than 2V p-p.

### Features & Benefits

- 75Ω or high impedance input (jumper selectable)
- High common mode range and common mode rejection ratio (CMRR)
- Gain control
- Jumper selectable AC or DC coupling
- Cable equalizer adjustment range: 0 to 300m of 8281 or 1694A
- Looping feature with external "T" connector
- Consistent input impedance if card power is lost
- VistaLINK® -capable for remote monitoring via SNMP (using VistaLINK® PRO) when installed in 500FR frame with 500FC VistaLINK® Frame Controller

### Card Edge LEDs

- Module status/Local Fault
- Power supply status
- EQ Warning



### Specifications

<b>Analog Video Input:</b> Standards: Any analog video format, up to 2V p-p and 30MHz bandwidth Connector: 1 BNC per IEC 61169-8 Annex A Common mode range: > 6V p-p CMRR: > 70dB to 1kHz Signal amplitude: 2.5V p-p max Cable equalizer: 0 to 300m of Belden 8281 or 1694A cable Impedance: 75Ω terminated, 35kΩ Hi-Z (jumper selectable) Coupling: AC or DC (jumper selectable) Return loss: > 40dB to 10MHz, > 30dB to 30MHz	<b>Analog Video Outputs:</b> Number of Outputs: 9 Per Card Connector: BNC per IEC 61169-8 Annex A Output impedance: 75Ω Gain control range: ±5dB DC Level: < ±100mV (with DC Coupling active) Freq. Response: < ±0.05dB no equalization < ±0.09dB for 5 to 100m Belden 8281 or 1694A (to 5.5MHz) < ±0.15dB for 100 to 300m Belden 8281 or 1694A (to 5.5MHz) Differential Gain: < 0.17% 0 to 300m Differential Phase: < 0.19° 0 to 300m C/L gain inequality: < ±0.1% for all cable lengths C/L Delay: < ±2ns	Output isolation: > 42dB to 10MHz, > 32dB to 30MHz Output return loss: > 40dB to 30MHz Noise performance: < -78dB RMS NTC7 weighting, < -70dB RMS 15kHz to 5.5MHz <b>Electrical:</b> Voltage: +12V DC Power: 1.2W EMI/RFI: Complies with FCC Part 15 Class A EU EMC Directive <b>Physical:</b> Number of slots: 1
--	---	---

### Ordering Information

501ADA-EQ	Analog Video Distribution Amplifier with Cable Equalization (1x9)
-----------	---

Enclosures  
500FR  
S501FR

**exponent**  
Compact High Density Distribution Frame  
Standalone enclosure

Accessories:	
500FC	VistaLINK® Frame Controller
CP-2116E-H	Remote Control Panel
CP-2232E	Remote Control Panel