

The 500VMDA Reclocking Distribution Amplifier provides inexpensive distribution and monitoring of your SMPTE 259M (270MB/s) serial digital video signal. The DA features an auto-equalized input with nine outputs that can be selected as either SDI or composite analog. The 500VMDA in conjunction with the 500DCDA-HD gives an upgrade path to monitoring future HD-SDI signals without having to re-wire your installation.

The 500VMDA is housed in the 3RU 500FR **exponent** frame that will hold up to 16 modules.



## ►Features & Benefits

- Fully hot-swappable from front of frame with no BNC disconnect required
- Tally output on Frame Status bus upon loss of input signal
- VistaLINK® -capable for remote monitoring via SNMP (using VistaLINK® PRO) when installed in 500FR frame with 500FC VistaLINK® Frame Controller

### Input

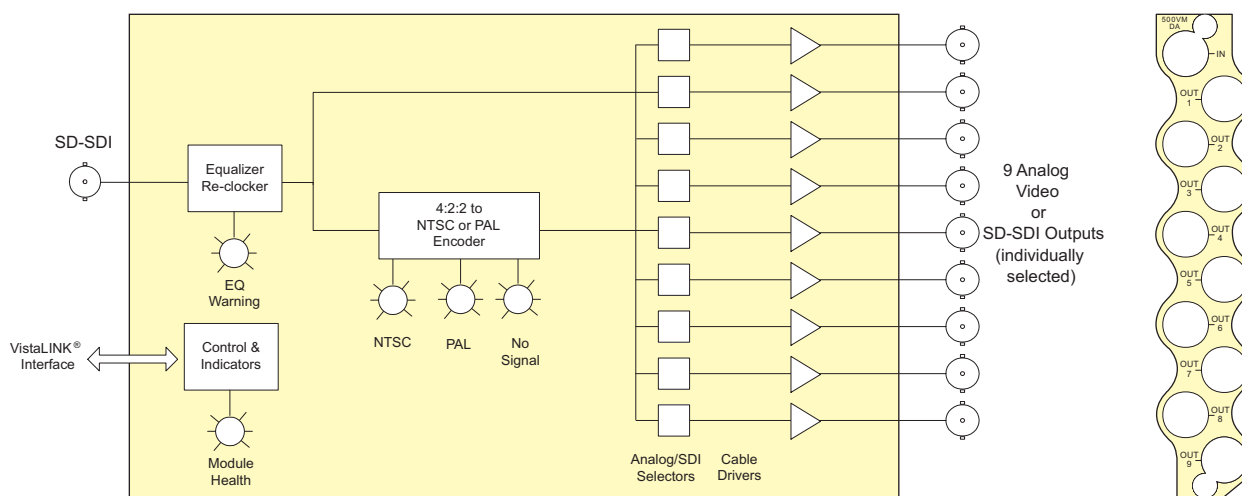
- Supports SMPTE 259M-C (270Mb/s) video with embedded audio

### Output

- 9 outputs selectable as SD-SDI or composite analog (NTSC/PAL)
- Independent isolated output drivers to ensure no cross channel leading effects (i.e. no need to terminate unused outputs)
- Selectable NTSC pedestal on/off
- Passes embedded audio to SD-SDI output

### Card Edge LEDs

- Reclocker Locked
- Max. Equalization Warning
- Module Health Status
- Video present, cable length warning and video standard LEDs



## ►Specifications

### Serial Video Input:

Standards: SMPTE 259M-C (270Mb/s) 525 or 625 line  
 Connector: 1 BNC per IEC 61169-8 Annex A  
 Equalization: Automatic to 430m @ 270Mb/s with Belden 1694A or equivalent cable  
 Return Loss: > 15dB up to 270Mb/s  
 Embedded Audio: SMPTE 272M-A

### Serial Video Output:

Number of Outputs: Up to 9 reclocked outputs (jumper selectable)  
 Connector: BNC per IEC 61169-8 Annex A  
 Signal Level: 800mV nominal  
 DC Offset: 0V ±0.5V  
 Rise and Fall Time: 470ps nominal  
 Overshoot: < 10% of amplitude  
 Return Loss: > 15dB up to 270Mb/s  
 Wide Band Jitter: < 0.2 UI

### Analog Video Output:

(User selectable as additional SDI Outputs)  
 Number of Outputs: Up to 9 (jumper selectable)  
 Standards: NTSC, SMPTE 170M if input is 525i/59.94  
 PAL-B ITU-RBT 1700  
 Connectors: BNC per IEC 61169-8 Annex A  
 Signal Level: 1V p-p nominal  
 DC Offset: 0V ±0.1V  
 Return Loss: > 35dB up to 5MHz

### Electrical:

Voltage: +12V DC  
 Power: 6W  
 EMI/RFI: Complies with FCC Part 15 Class A  
 EU EMC Directive

### Physical:

Number of slots: 1

## ►Ordering Information

**500VMDA** SD-SDI Monitoring Reclocking Distribution Amplifier

### Accessories:

**500FC** VistaLINK® Frame Controller  
**CP-2116E-H** Remote Control Panel  
**CP-2232E** Remote Control Panel

**Enclosures**  
**500FR**  
**S501FR**

**exponent**  
 Compact High Density Distribution Frame  
 Standalone enclosure