

# 500IDA9-IG, 500IDA9-HD-IG, 500IDA9-3G-IG

## 3G/HD/SD-SDI Intelligent 1x9 Distribution Amplifier with IntelliGain™



The 500IDA9-IG reclocking distribution amplifier provides high quality distribution of facility 3G/HD/SD-SDI signals. This module features an auto-sensing equalized input which generates nine reclocked outputs and is especially useful projects where long cables runs are encountered.

Unlike other traditional DA's on the market, this module has been designed to support additional broadcast functionality such as signal monitoring, audio shuffling and loudness control. These features are standard features on this device therefore providing more value to an already high performance distribution amplifier!

The 500IDA9-IG is VistaLINK® capable, offering remote monitoring, control and configuration capabilities via Simple Network Management Protocol (SNMP) giving the flexibility to manage operations, including signal monitoring and module configuration from SNMP capable control systems (Manager or NMS)

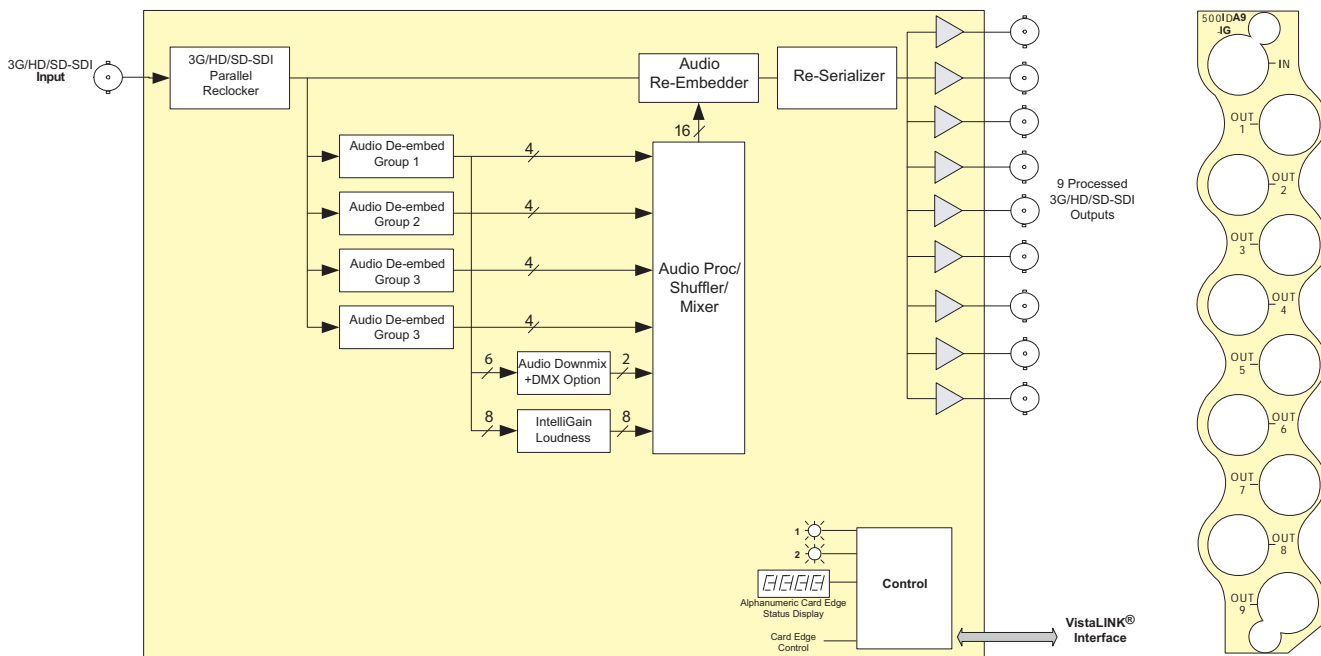
This device:

- Provides nine reclocked outputs from the 3G/HD/SD-SDI input
- Provides enhanced signal reclocking and conditioning
- Offers embedded mono audio channel shuffling
- Offers award winning IntelliGain™ loudness control
- Offers 5.1 to 2-channel stereo downmix (+DMX)
- SNMP configuration via 7700FC Evertz® frame controller

The 500IDA9-IG occupies one card slot and can be housed in the 3RU 500FR frames that has a 16 slot capacity. The 500FC or 500FC-DA-HD frame controller is required for configuration.

### ► Features & Benefits

- SD-SDI input (500IDA9-IG), SD/HD-SDI input (500IDA9-HD-IG) or SD/HD/3G input (500IDA9-3G-IG) with nine reclocked outputs
- Long reach cable performance
- Embedded audio channel shuffling
- ITU-R BS. 1770 Loudness control
- Input signal presence detection
- Real time VistaLINK® monitoring and trending
- High density approach offers 15 modules within 3RU



### ► Specifications

<b>Serial Video Inputs:</b> Standard: 3Gb/s SMPTE 424M (-3G), 1.5Gb/sec SMPTE ST 292-1 (-HD), 270Mb/s SMPTE ST 259-C (525i/59.94 or 625i/50) Connector: 1 BNC per IEC 61169-8 Annex A Input Equalization: 3G: Automatic to 100m @ 3Gb/s with Belden 1694A or equivalent cable HD: Automatic to 140m @ 1.5Gb/s with Belden 1694A or equivalent cable SD: Automatic to 350m @ 270Mb/s with Belden 1694A or equivalent cable	<b>Return Loss:</b> 3G: > 10dB up to 3 Gb/s HD: > 15dB up to 1.5 Gb/s SD: > 20dB up to 270 Mb/s	<b>Electrical:</b> Voltage: +12V DC Power: 9W EMI/RFI: Complies with FCC Part 15 Class A EU EMC Directive
<b>Serial Video Outputs:</b> Standard: Same as input Number of Outputs: 9 Connector: BNC per IEC 61169-8 Annex A Signal Level: 800mV nominal	<b>Physical (number of slots):</b> 1	

### ► Ordering Information

<b>500IDA9-3G-IG</b>	3G/HD/SD-SDI Intelligent 1x9 Distribution Amplifier with IntelliGain™
<b>500IDA9-HD-IG</b>	HD/SD-SDI Intelligent 1x9 Distribution Amplifier with IntelliGain™
<b>500IDA9-IG</b>	SD-SDI Intelligent 1x9 Distribution Amplifier with IntelliGain™ (500FC or 500FC-DA-HD required for configuration)

<b>Accessories</b>	
<b>500FC</b>	VistaLINK® Frame Controller
<b>CP-2116E-H</b>	Remote Control Panel
<b>CP-2232E</b>	Remote Control Panel

### Ordering Options

+DMX 5.1 to 2-Channel Stereo Downmix

<b>Enclosures</b>	<b>exponent</b>
<b>500FR</b>	Compact High Density Distribution Frame