

500FC

VistaLINK® Frame Controller

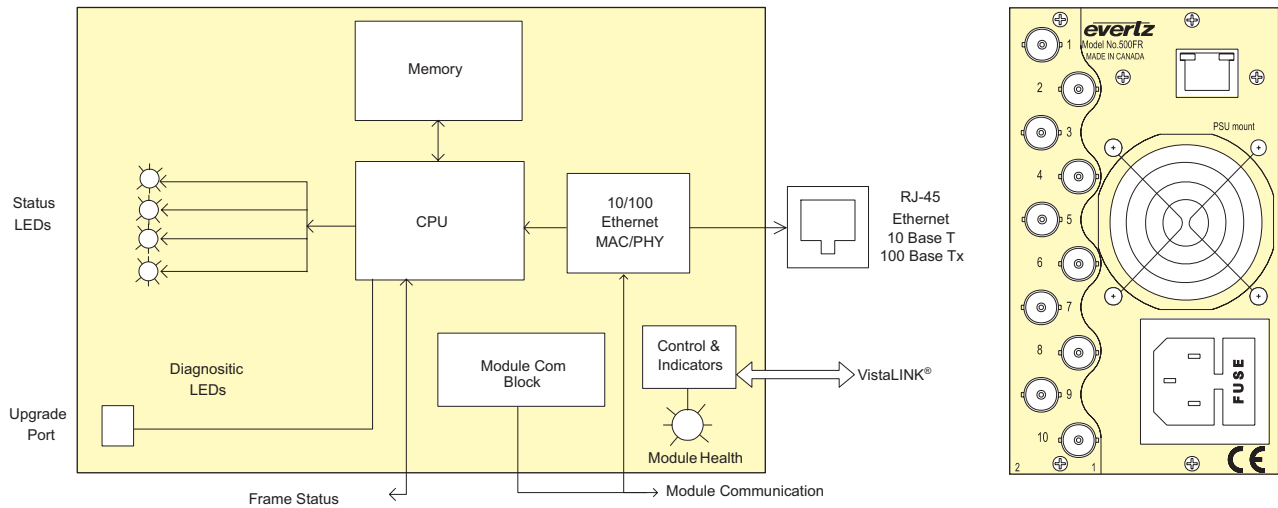


The 500FC VistaLINK® Frame Controller card provides a single point of access to communicate with VistaLINK®-capable 500 series modules. The 500FC VistaLINK® Frame Controller provides a 10Base-T/100Base-TX Ethernet port and communication is facilitated through the use of Simple Network Management Protocol (SNMP).

The 500FC VistaLINK® Frame Controller handles all SNMP communications between the frame and the network manager (NMS), and serves as a gateway to individual cards in the frame. The 500FC is a true SNMP agent and can be connected directly to your Ethernet/SNMP Network. No external intermediate translator application servers or PC based protocol translators are required.

►Features & Benefits

- Complies with IEEE 802.3 100Base-TX and 10Base-T Ethernet standards
- 100Mb/s Fast Ethernet or 10Mb/s Ethernet data transfer, selected by auto-negotiation
- Full duplex or half-duplex operation, selected by auto negotiation
- RJ-45 connector for network cable connection
- Front panel LEDs indicate module status
- Rear panel LEDs indicate Ethernet link, activity and speed
- Provides frame/chassis status information through enabled hardware via SNMP (using VistaLINK® PRO) including power supply status, frame status, card insertion/removal counters, 500FC software version number, LED control
- Comprehensive signal and status monitoring through SNMP and VistaLINK®
- Can be used with 500FR, 500FR-L-A, 500FR-L-D frames



►Specifications

Ethernet:	Electrical:	Physical:
Network Type: Fast Ethernet 100 Base-TX IEEE 802.3u standard for 100 Mb/s baseband CSMA/CD local area network Ethernet 10 Base-T IEEE 802.3 standard for 10 Mb/s baseband CSMA/CD local area network	Voltage: +12V DC Power: 7W EMI/RFI: Complies with FCC Part 15 Class A EU EMC directive	Number of slots: 1 (must be in slot 1 of 500FR-L-D)
Connector: RJ-45		

►Ordering Information

500FC	VistaLINK® Frame Controller
-------	-----------------------------

Enclosure 500FR 500FR-L-A 500FR-L-D	exponent Compact High Density Distribution Frame Compact High Density Distribution Frame with Loop Thru (Analog) Compact High Density Distribution Frame with Loop Thru (Digital)
---	---

