

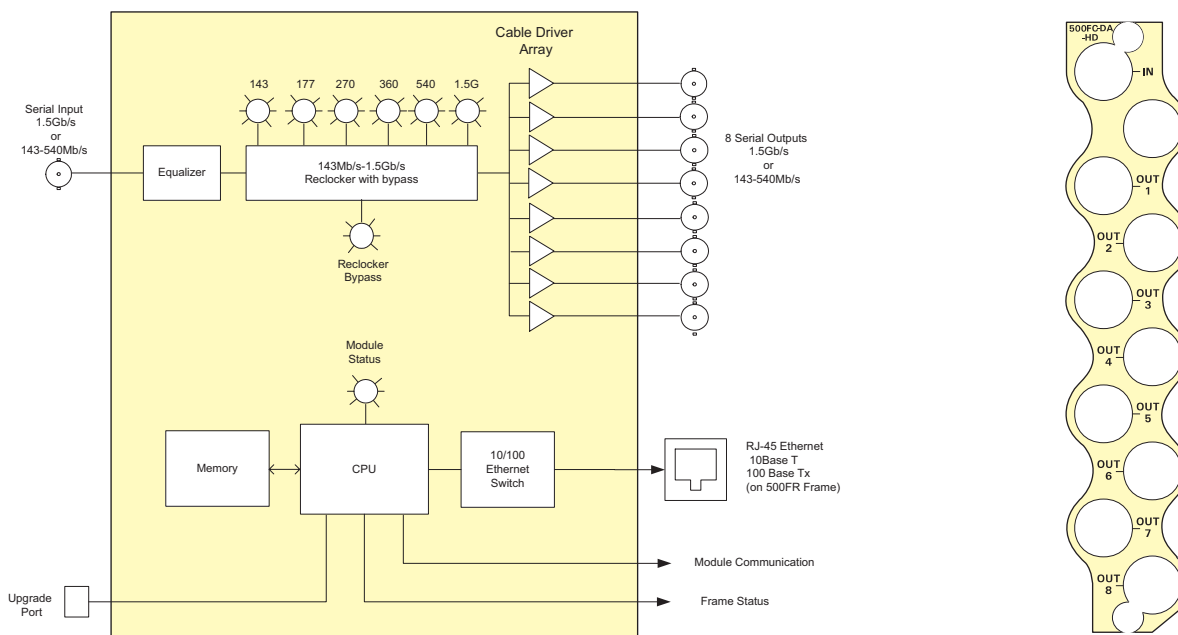


The 500FC-DA-HD Frame Controller with Distribution Amplifier card provides a single point of access to communicate with VistaLINK® -capable 500 series of cards. The 500FC-DA-HD provides a 10Base-T/100Base-TX Ethernet port and communication is facilitated through the use of Simple Network Management Protocol (SNMP). The 500FC-DA-HD handles all SNMP communications between the frame (500FR) and the network manager (NMS), and serves as a gateway to individual cards in the frame. The 500FC-DA-HD also provides an RS-232 serial port at the card edge to set up the network addresses.

In addition the 500FC-DA-HD provides an on board reclocking distribution amplifier for HD/SD video signal at rates of 1.5Gb/s and 143Mb/s to 540Mb/s. The DA features an auto-equalized input with eight reclocked outputs and has been designed for use as a SMPTE 292M (1.5Gb/s), DVB-ASI or SMPTE 259M distribution product.

►Features & Benefits

- Complies with IEEE 802.3 100Base-TX and 10Base-T Ethernet standards
- 100Mb/s Fast Ethernet or 10Mb/s Ethernet data transfer, selected by auto-negotiation
- Full duplex or half-duplex operation, selected by auto negotiation
- RJ-45 connector for network cable connection
- Card edge RS-232 serial control port for configuration
- Front panel LEDs indicate module fault
- Rear panel LEDs indicate Ethernet link, activity and speed
- Provides frame/chassis status information through enabled hardware via VistaLINK® including frame status, card insertion/removal counters and 500FC-DA-HD software version number



►Specifications

Serial Video Inputs:

Standards: SMPTE 292M, SMPTE 259M-A, B, C, D (143 to 540Mb/s) or DVB-ASI
 Connector: 1 BNC per IEC 61169-8 Annex A
 Equalization: Automatic to 140m @ 1.5Gb/s
 Return Loss: > 15dB up to 1.0Gb/s, > 10dB up to 1.5Gb/s

Serial Video Outputs:

Number of Outputs: 8 (Optionally reclocked)
 Connector: BNC per IEC 61169-8 Annex A
 Signal Level: 800mV nominal
 DC Offset: 0V ±0.5V
 Rise and Fall Time: 200ps nominal
 Overshoot: < 10% of amplitude
 Return Loss: > 15dB up to 1.0Gb/s
 > 12dB up to 1.5Gb/s
 Wide Band Jitter: < 0.2 UI

Ethernet:

Network Type: Fast Ethernet 100 Base-TX IEEE 802.3u standard for 100Mb/s baseband CSMA/CD local area network
 Ethernet 10 Base-T IEEE 802.3 standard for 10Mb/s baseband CSMA/CD local area network
 Connector: RJ-45

Serial Communications:

Standard: RS-232
 Connector: 9-Pin Female D connector on upgrade breakout cable (provided with 500FR)
 Baud Rate: 57,600
 Format: 8 bits, no parity, 2 stop bits, no flow control

Electrical:

Voltage: +12V DC
 Power: 5.5W
 EMI/RFI: Complies with FCC Part 15 Class A and EU EMC directive

Physical:

Number of slots: 1 (must be in slot 1 of 500FR)

►Ordering Information

500FC-DA-HD VistaLINK® Frame Controller with HD/SD-SDI Reclocking DA (1x8)

Enclosures
500FR
S501FR

exponent
 Compact High Density Distribution Frame
 Standalone enclosure