



The 500DA2Q-AESU provides an economical method of distribution for your AES digital audio signals. The DAs feature two auto-equalized inputs with four relocked outputs each. The module can also be configured for one input with eight relocked outputs for applications where a larger number of outputs is required.

The 500DA2Q-AESU is housed in the 500FR *exponent* frame that will hold up to 16 modules.

►Features & Benefits

- Supports SMPTE 276M standard for AES audio on 75Ω coax
- 2 independent distribution amplifiers with 4 relocked outputs provide jitter reduction
- Can be configured as one 8 output distribution amplifier
- Automatic equalization provides extended cable length capabilities
- Card edge indicators for PLL out of lock, parity error or bi-phase coding errors
- Tally output of input error conditions
- VistaLINK® -capable for remote monitoring via SNMP (using VistaLINK® PRO) when installed in 500FR frame with 500FC VistaLINK® Frame Controller

Inputs

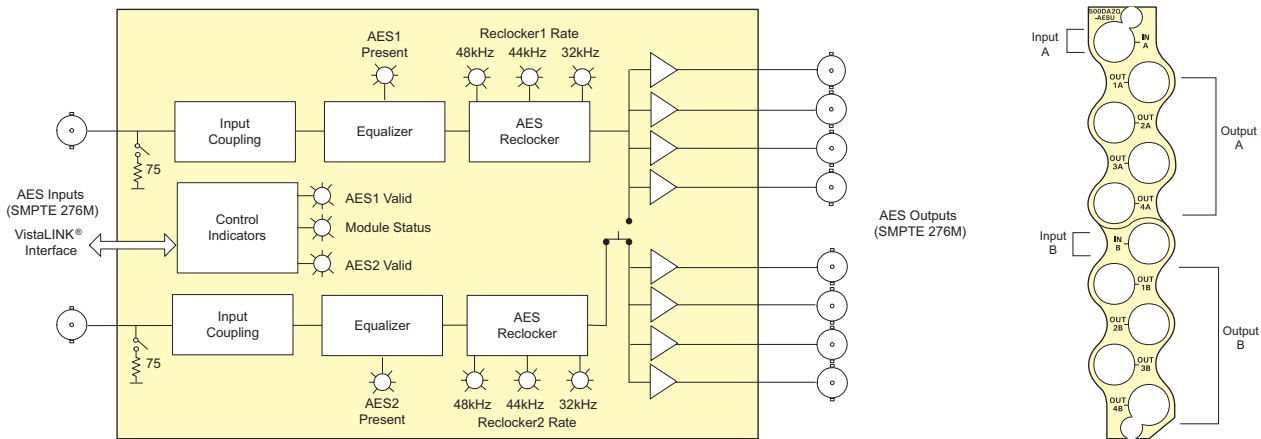
- 2 inputs
- SMPTE 276M standard for AES audio on 75Ω coax
- EQ and reclock provide extended cable length compensation (> 1500m)
- Transformer coupled 75Ω unbalanced input

Outputs

- 4 relocked outputs per input

Card Edge LEDs

- Module Health Status
- Error LED indication for input PLL out of lock, parity error or biphas coding error
- Reclocker locked



►Specifications

AES Audio Inputs:

Number of Inputs: 2
 Standard: SMPTE 276M, single ended AES
 Connectors: BNC per IEC 61169-8 Annex A
 Coupling: Transformer
 Signal Level: 1V p-p ±0.1V
 Equalization: Automatic 1500m @48kHz with Belden 1694A or equivalent cable
 Impedance: 75Ω
 Return Loss: > 25dB 100kHz to 6MHz
 Sampling Rate: 32kHz, 44.1kHz, 48kHz and 96kHz

AES Audio Outputs:

Number of Outputs: 4 relocked outputs per input (normal)
 8 outputs from input 1 (jumper selectable)
 Standard: SMPTE 276M, single ended AES
 Connectors: BNC per IEC 61169-8 Annex A
 Signal Level: 1V p-p ±0.1V
 Impedance: 75Ω unbalanced
 Return Loss: > 25dB 100kHz to 6MHz

Electrical:

Voltage: +12V DC
 Power: 1.2W

Physical:

Number of slots: 1

►Ordering Information

500DA2Q-AESU Dual Unbalanced AES Audio Distribution Amplifier

Accessories:

500FC VistaLINK® Frame Controller
CP-2116E-H Remote Control Panel
CP-2232E Remote Control Panel

Enclosures

500FR
S501FR

exponent

Compact High Density Distribution Frame
 Standalone enclosure