

500DA-MADI

1x8 MADI Audio Reclocking Distribution Amplifier



The 500DA-MADI reclocking distribution amplifier provides inexpensive distribution of your AES10 MADI audio signals. The 500DA-MADI will automatically equalize MADI signals on Belden 1694A coax up to 250m.

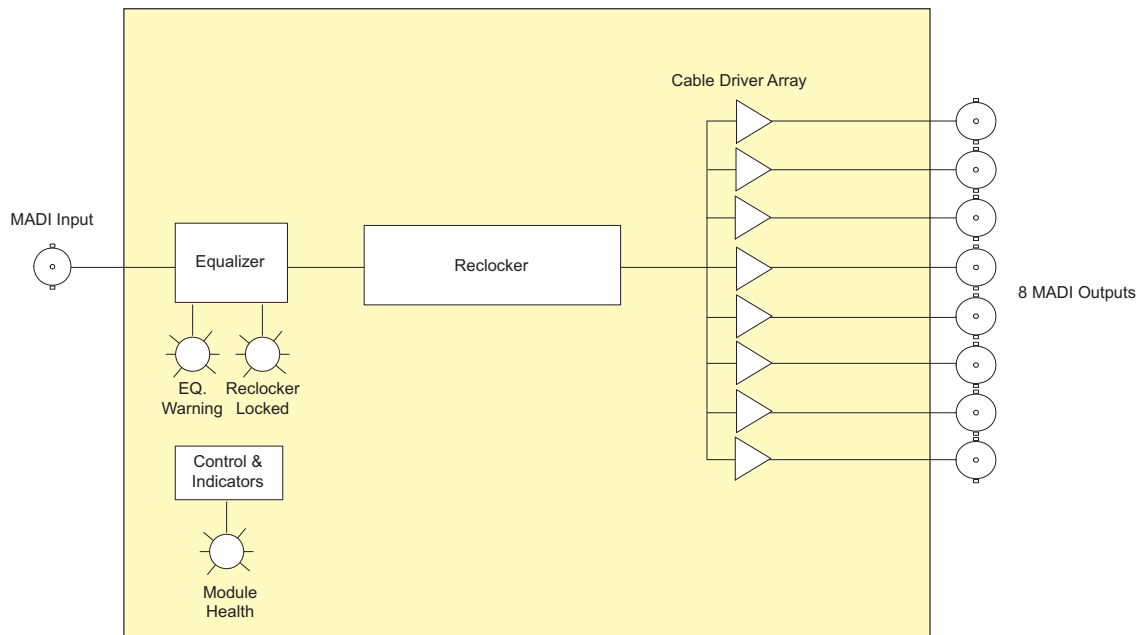
The 500DA-MADI supports the industry standard 64-channel payload at a sampling rate of 48 kHz. Sampling rates up to 96 kHz are also supported at various payload capacities as specified in AES10-2003.

The 500DA-MADI card edge LED indicators provide quick and accurate assessment of the incoming signal integrity.

The 500DA-MADI is housed in the 3RU 500FR **exponent** frame that will hold up to 16 cards.

Features & Benefits

- AES10-2003 standard for MADI audio on 75Ω coax
- Data reclocking provides jitter reduction
- Automatic equalization
- Equalizer and reclocker provide extended cable length compensation (> 250m)
- Eight 75Ω coax outputs
- VistaLINK® capable for remote monitoring, control and configuration capabilities via SNMP; using VistaLINK®PRO, CP-2116E or CP-2232E Control Panels. VistaLINK® is available when modules are used with the 3RU 500FR frame and a 500FC VistaLINK® Frame Controller module in slot 1 of the frame



Specifications

MADI Input:		MADI Output:		Physical:	
Standard:	AES10-2003	Number of Outputs:	8 per card reclocked	Number of slots:	1
Number of Inputs:	1	Connector:	BNC per IEC 61169-8 Annex A	Electrical:	
Connector:	BNC per IEC 61169-8 Annex A	Output Level:	0.6 V p-p	Voltage:	+12V DC
Input Level:	0.3 – 0.6 V p-p	Output Impedance:	75Ω	Power:	6W
Input Impedance:	75Ω	Jitter:	0.1 UI	EMI/RFI:	Complies with FCC Part 15, Class A EU EMC Directive
Equalization:	Automatic to 250m with Belden 1694A (or equivalent)				
Sampling Frequency:	32kHz, 44.1kHz, 48kHz and 96kHz				

Ordering Information

500DA-MADI	1x8 MADI Audio Reclocking Distribution Amplifier	Enclosures 500FR S501FR	3RU exponent Compact High Density Distribution Frame 500 Series Standalone Enclosure
-------------------	--	--------------------------------------	---

The Complete Solution Provider

